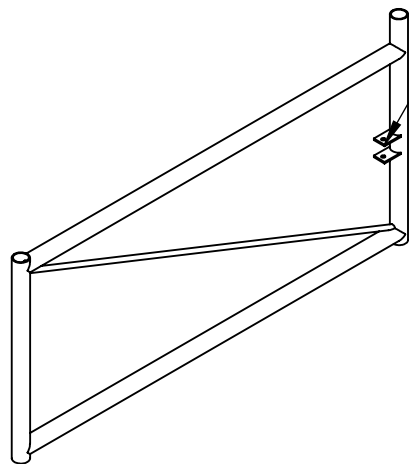


VIEW "B"
(VIEW IS FOR TW1278-72 CLARITY ONLY)



FOR STIFF ARM
CONNECTION

STIFF ARM
(SOLD SEPARATELY)

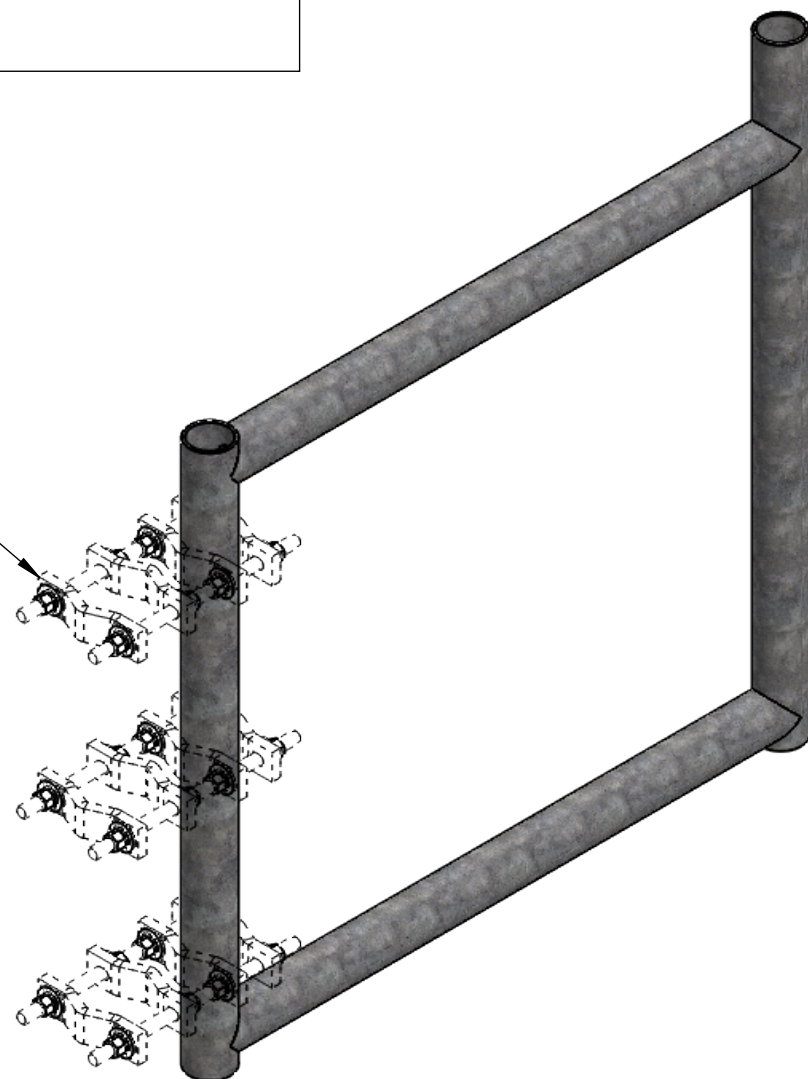
TW1278-72 WILL INCLUDE TWO STIFF ARM TABS
& ONE SOLID ROD CENTER BRACE
(SEE VIEW "B" FOR REFERENCE)

MEDIUM DUTY ANTENNA STAND-OFF SERIES

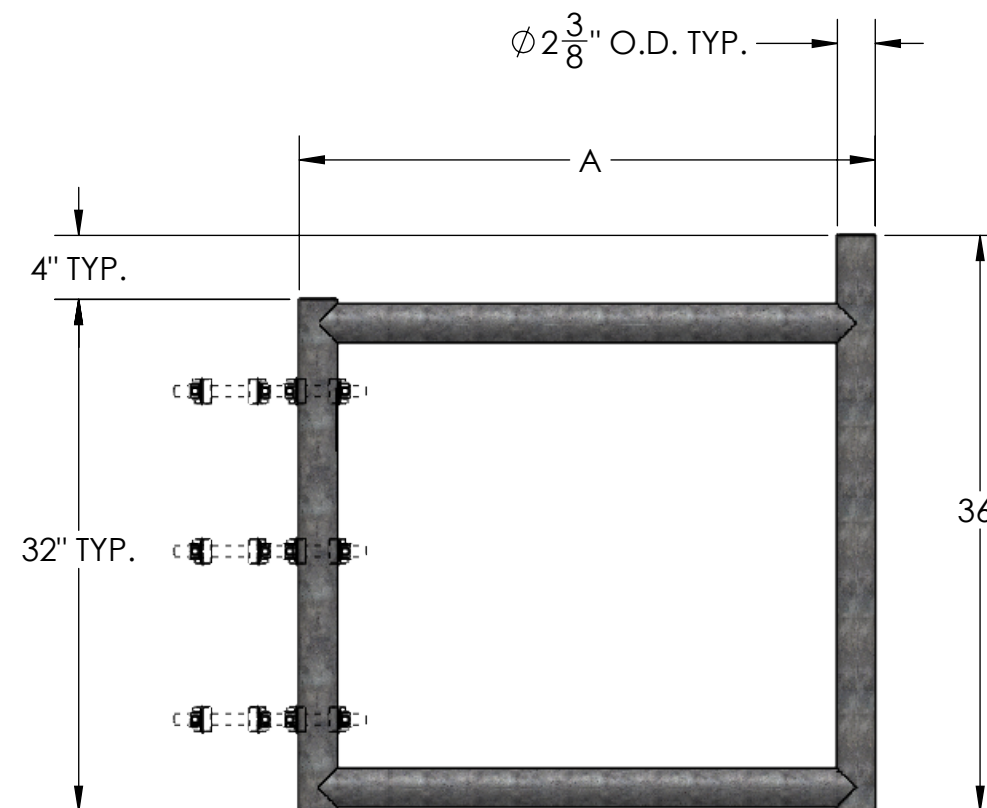
PART NO.	STAND-OFF "A"	WEIGHT (PER)	QTY.
TW1278-12	12"	25.45	1
TW1278-36	36"	40.15	1
TW1278-72	72"	71.88	1

TW1278-12 & TW1278-36 WILL NOT INCLUDE
STIFF ARM TABS OR THE SOLID ROD CENTER BRACE

1-1/2" TO 3-1/2" O.D.
PIPE TO PIPE
CLAMP KITS
(SOLD SEPARATELY)



SEE B.O.M. FOR SPECIFIC
STAND-OFF SIZES




MATERIAL	-
FINISH	H.D.G.

SIZE
B

UNLESS OTHERWISE SPECIFIED:
DIMENSIONS ARE IN INCHES
TOLERANCE ± 1/16

PROPRIETARY AND CONFIDENTIAL
THE INFORMATION CONTAINED IN THIS
DRAWING IS THE SOLE PROPERTY OF
PRO TOWER MANUFACTURING L.L.C. ANY
REPRODUCTION IN PART OR AS A WHOLE
WITHOUT THE WRITTEN PERMISSION OF
PRO TOWER MANUFACTURING L.L.C. IS
PROHIBITED.

DESCRIPTION:		-	
 <p>PRO TOWER MANUFACTURING L.L.C. 5601 San Francisco St. NE Albuquerque, N.M. 87109 (505) 924-2810</p>		DWG NO: MEDIUM DUTY ANTENNA STAND-OFF SERIES	
DRAWN BY: AJK	DATE: 8/18/2022	REV	
CHECKED BY: E. FILMER	DATE: 8/18/2022	WEIGHT:	
SHEET: 1 of 1	SCALE: NTS	-	