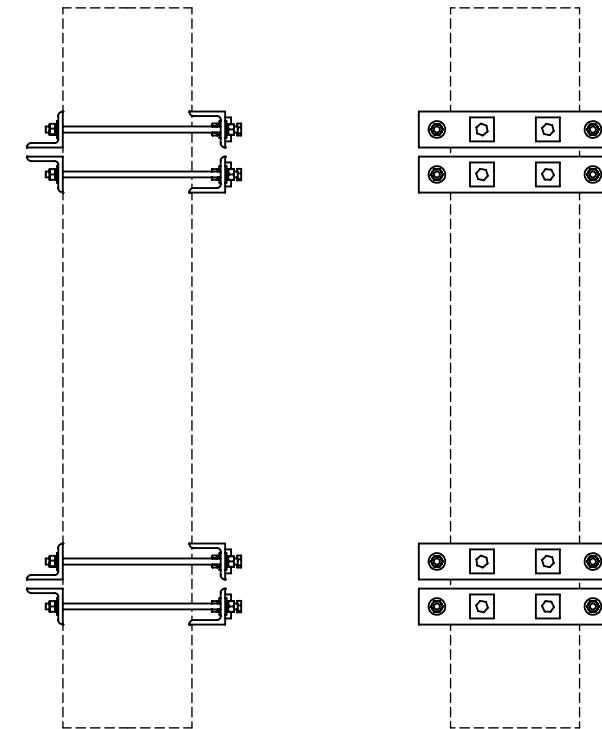
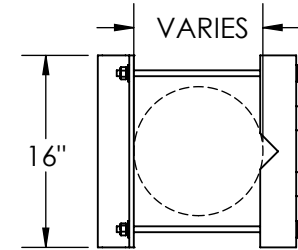
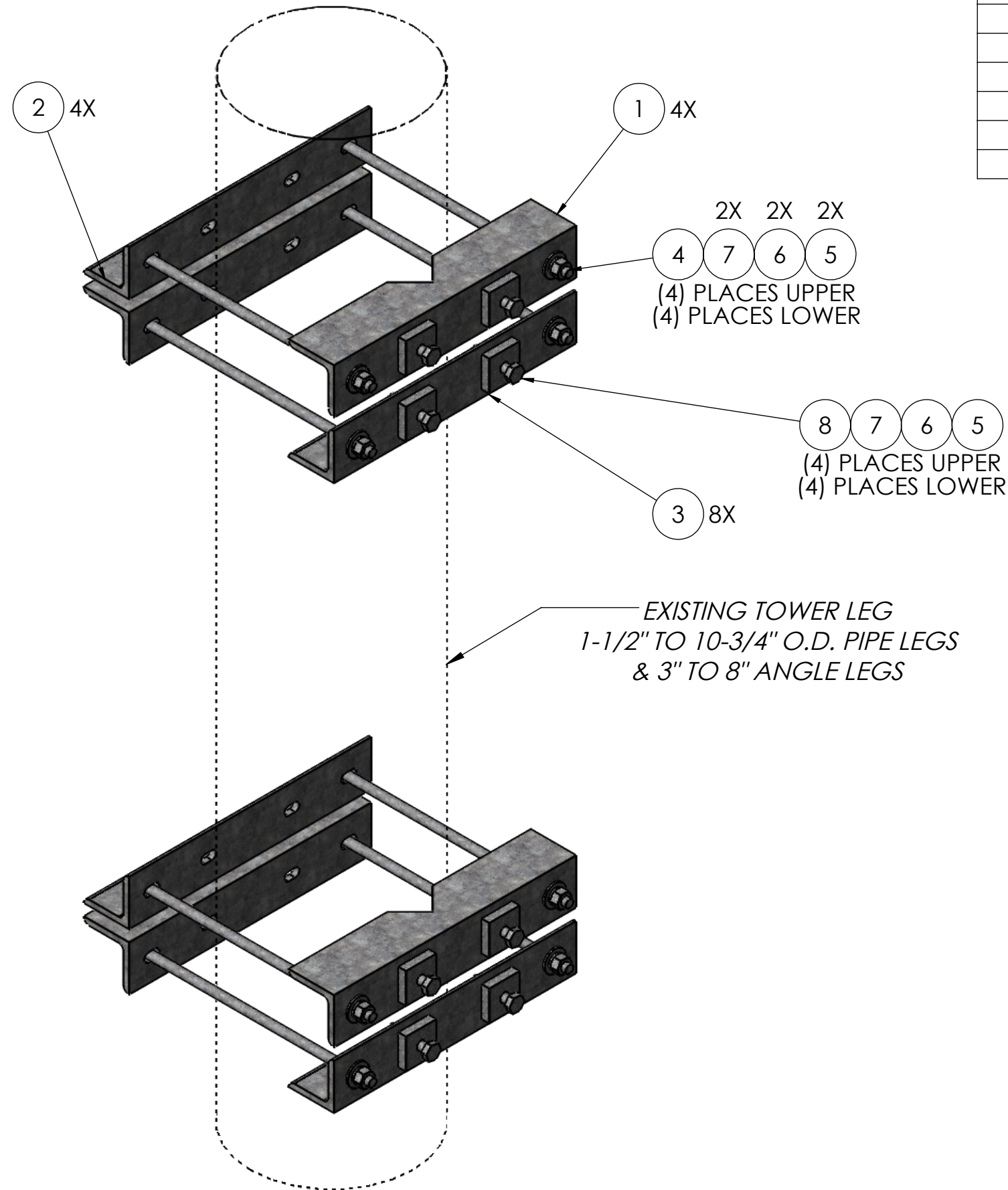


ITEM NO.	PART NUMBER	DESCRIPTION	FINISH	WEIGHT (PER)	QTY.
1	TW1285.10	ANGLE CLAMP x 16" (L3" x 3" x 3/8")	H.D.G.	9.10	4
2	TW1285.11	BRACKET ANGLE x 16" (L3" x 3" x 3/8")	H.D.G.	9.21	4
3	TW1285.12	1/2" x 2" x 2" ANGLE SPACER, WITH 9/16" HOLE	H.D.G.	0.53	8
4	GR500.016	1/2" x 16" THREADED ROD	H.D.G.	0.89	8
5	GF04	1/2" FLAT WASHER	H.D.G.	0.04	24
6	GL04	1/2" LOCK WASHER	H.D.G.	0.02	24
7	GN04A	1/2" HEX NUT (2H)	H.D.G.	0.06	24
8	GB0424A	1/2" x 2-1/2" BOLT	H.D.G.	0.20	8



UNLESS OTHERWISE SPECIFIED: DIMENSIONS ARE IN INCHES TOLERANCE ± 1/16		DESCRIPTION: LARGE LEG ADAPTOR KIT, FOR 1-1/2" TO 10-3/4" OD PIPES & 3" TO 8" ANGLE LEGS		
MATERIAL: -		 <b>PRO TOWER MANUFACTURING L.L.C.</b> 5601 San Francisco St. NE Albuquerque, N.M. 87109 (505) 924-2810	DWG NO: TW1285-LLAK	
FINISH: H.D.G.			DRAWN BY: AJK CHECKED BY: E.FILMER SHEET: 1 of 1	DATE: 8/11/2022 DATE: 8/11/2022 SCALE: NTS