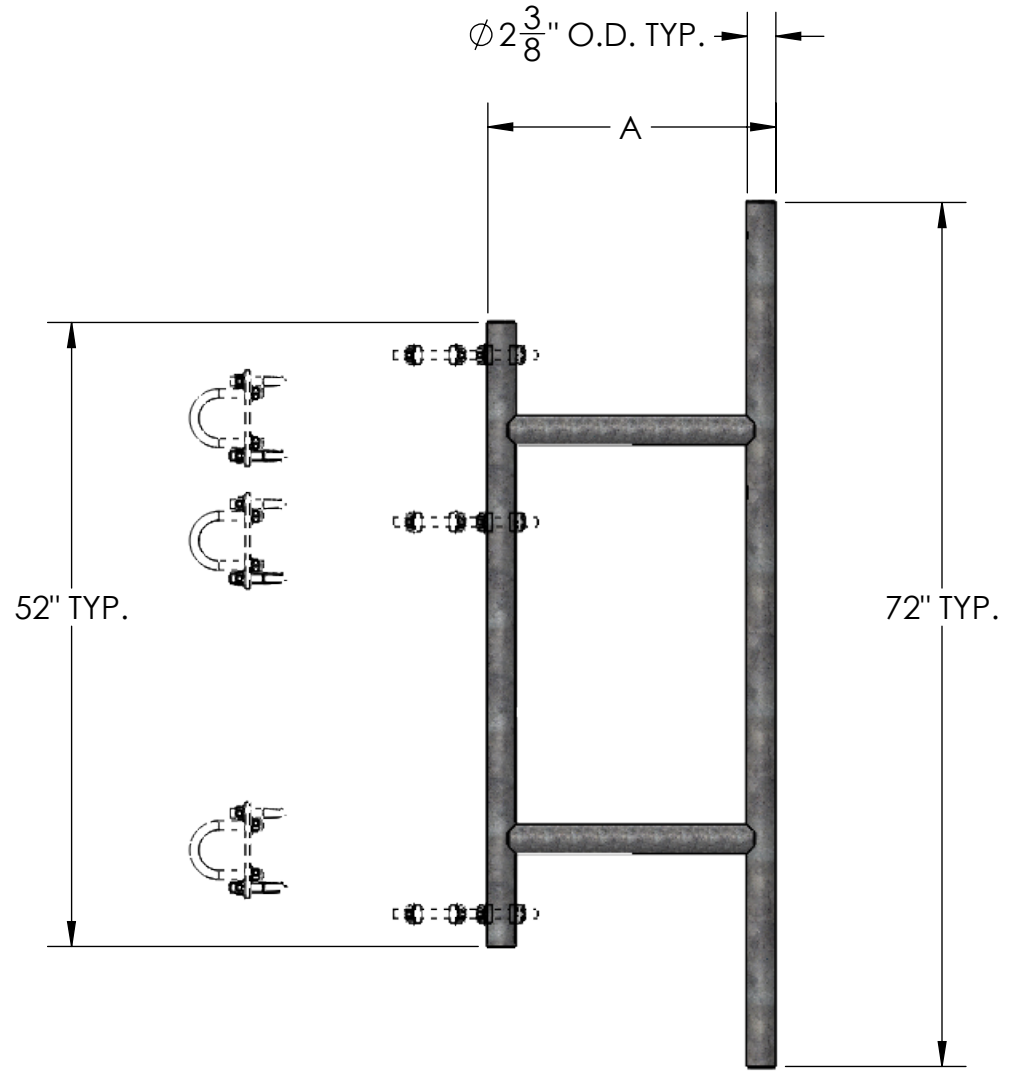
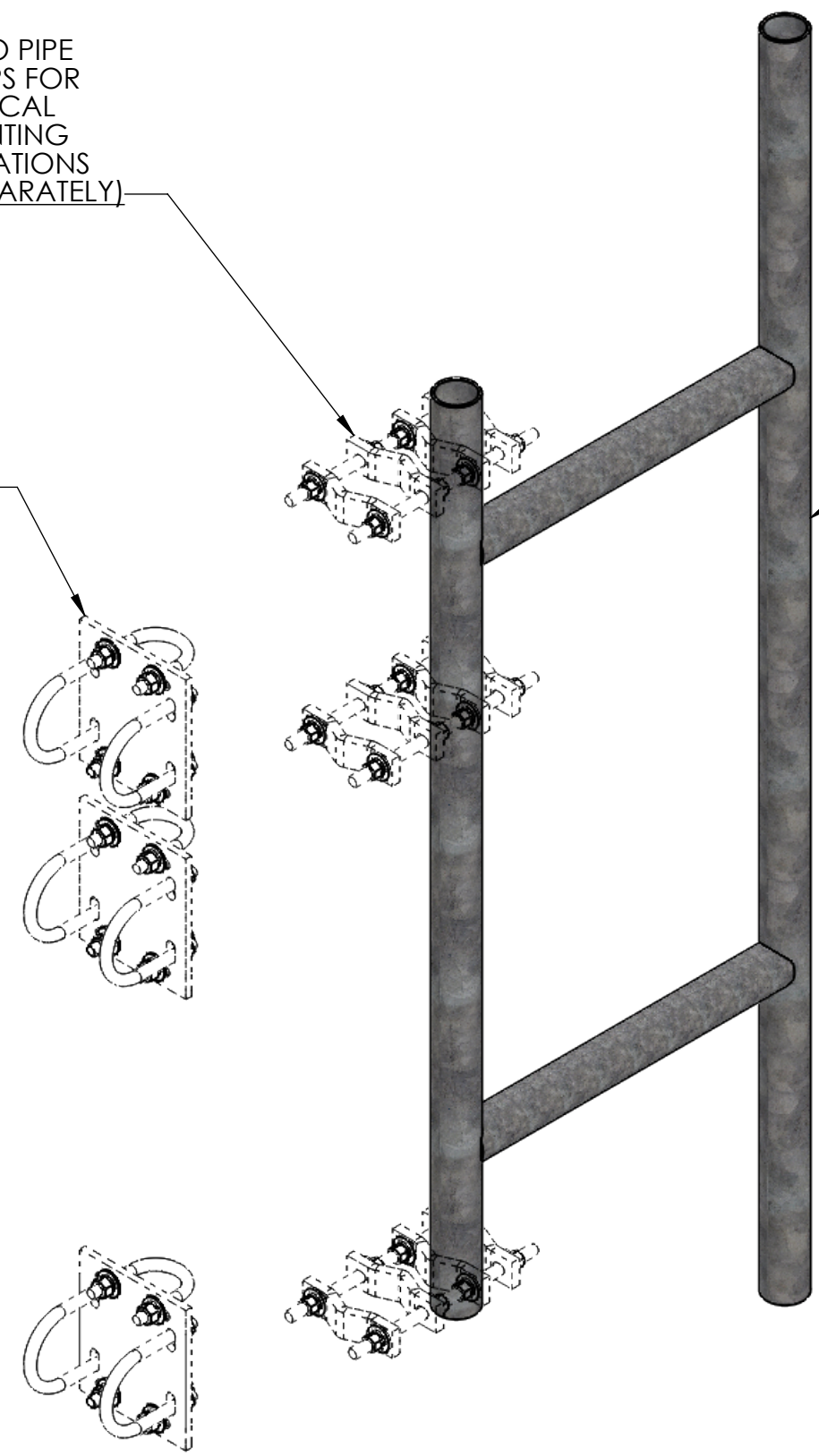


PANEL ANTENNA STAND-OFF SERIES			
PART NO.	STAND-OFF "A"	WEIGHT (PER)	QTY.
TW1293	12"	42.70	1
TW1290	24"	50.03	1
TW1291	36"	57.36	1
TW1292	48"	64.69	1

PIPE TO PIPE
CLAMPS FOR
VERTICAL
MOUNTING
APPLICATIONS
(SOLD SEPARATELY)

CROSSOVER PLATE
KITS FOR HORIZONTAL
MOUNTING
APPLICATIONS
(SOLD SEPARATELY)

SEE B.O.M. FOR SPECIFIC
STAND-OFF DIMENSION



UNLESS OTHERWISE SPECIFIED: DIMENSIONS ARE IN INCHES TOLERANCE $\pm 1/16$		DESCRIPTION: -		
MATERIAL -		 PRO TOWER MANUFACTURING L.L.C. 5601 San Francisco St. NE Albuquerque, N.M. 87109 (505) 924-2810	DWG NO: PANEL ANTENNA STAND-OFF SERIES	
FINISH H.D.G.			DRAWN BY: A.J.K. CHECKED BY: E. FILMER SHEET: 1 of 1	DATE: 5/17/2022 DATE: 5/17/2022 SCALE: NTS

SIZE
B