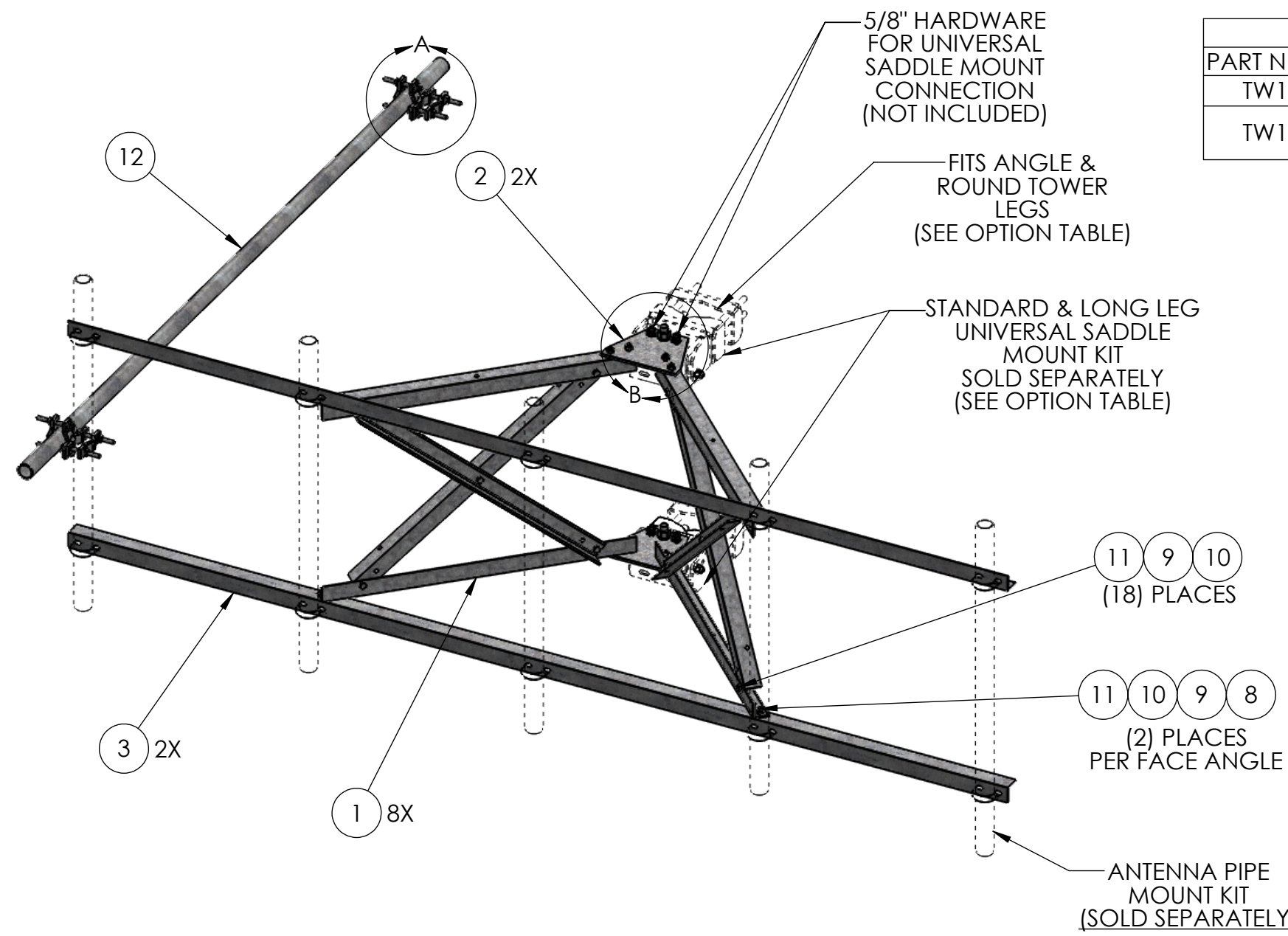
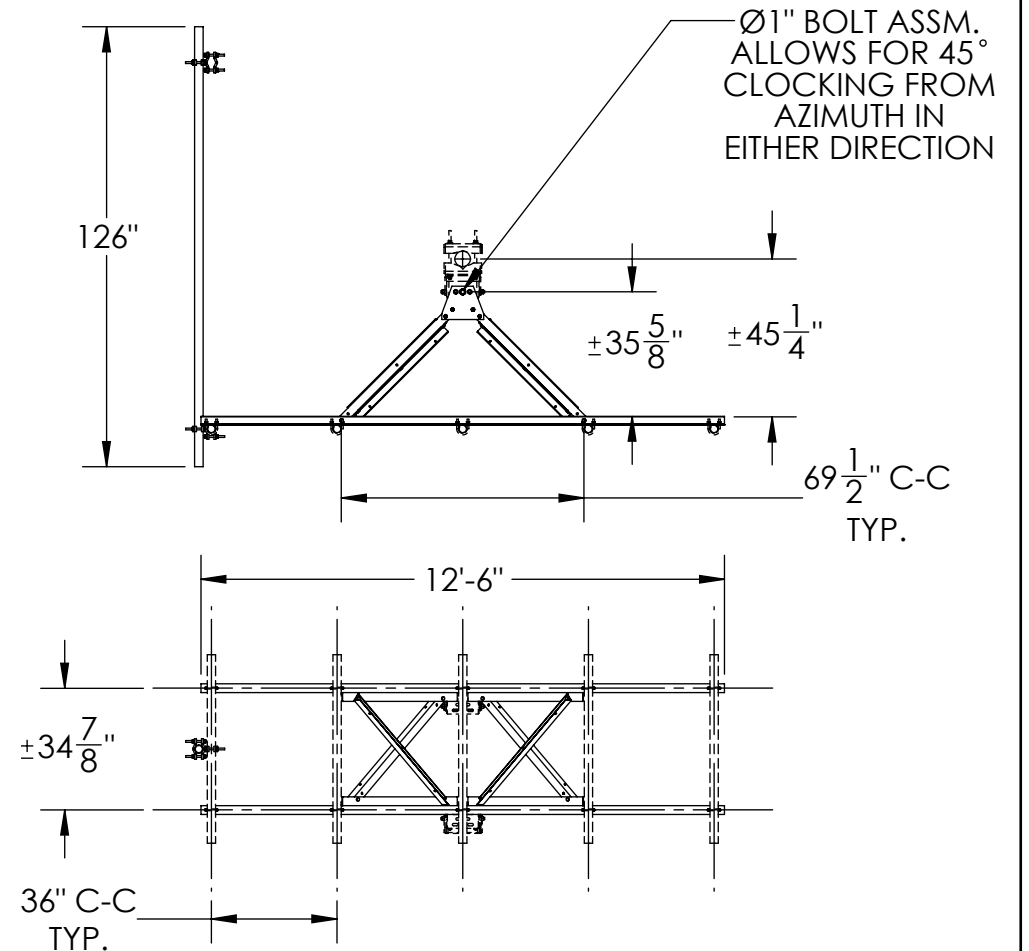


ITEM NO.	PART NUMBER	DESCRIPTION	FINISH	WEIGHT (PER)	QTY.
1	TW1073.02	UNIVERSAL FRAME ANGLE (L2-1/2" x 2-1/2" x 1/4" x 46-1/2")	H.D.G.	15.32	8
2	TW1073.03	ADAPTER PLATE (F.B. 12" x 3/8" x 9-1/2")	H.D.G.	9.35	2
3	TW1083.07	12'-6" FACE ANGLE (L2-1/2" x 2-1/2" x 3/16")	H.D.G.	37.85	2
4	TW1315.01	CROSS OVER CLAMP BRACKET, SM TO SM (WELDMENT)	H.D.G.	2.42	2
5	TW1320.01	CLAMP HALF 1-1/2" TO 3-1/2" OD ROUND (1/2" PLATE)	H.D.G.	1.20	4
6	GR500.006	1/2" x 6" THREADED ROD	H.D.G.	0.33	8
7	GF04	1/2" FLAT WASHER	H.D.G.	0.04	16
8	GF04A	1/2" FLAT WASHER A325	H.D.G.	0.02	4
9	GL04	1/2" LOCK WASHER	H.D.G.	0.02	38
10	GN04A	1/2" HEX NUT (2H)	H.D.G.	0.06	38
11	GB0414A	1/2" x 1-1/2" BOLT	H.D.G.	0.15	22
12	GP2375.126	2-3/8" O.D. x 126" PLAIN END GALV PIPE	H.D.G.	38.49	1
13	GB0830A	1" x 2-3/4" HEX BOLT	H.D.G.	1.01	2
14	GL08	1" LOCK WASHER	H.D.G.	0.10	2
15	GN08A	1" HEX NUT (2H)	H.D.G.	0.39	2



UNIVERSAL SADDLE MOUNT KIT SOLD SEPARATELY			
PART NUMBER	DESCRIPTION	FITS (ANGLE & PIPE TOWER LEGS)	QTY.
TW1126	UNIVERSAL SADDLE MOUNT	L2-3/4" TO L4-1/2" / Ø1-3/4" TO Ø6-5/8" O.D.	1
TW1128	UNIVERSAL SADDLE MOUNT (LONG LEG ADAPTER KIT)	L3" TO L8-1/2" / Ø1-3/4" TO Ø12" O.D.	1



UNLESS OTHERWISE SPECIFIED: DIMENSIONS ARE IN INCHES TOLERANCE ± 1/16

DESCRIPTION: 12'-6" V-SECTOR FRAME 3FT STAND-OFF, ANTENNA PIPE NOT INCLUDED

PRO TOWER MANUFACTURING L.L.C.
5601 San Francisco St. NE
Albuquerque, N.M. 87109
(505) 924-2810

DWG NO: TW1083.150

SIZE B

MATERIAL: -
FINISH: H.D.G.

PROPRIETARY AND CONFIDENTIAL THE INFORMATION CONTAINED IN THIS DRAWING IS THE SOLE PROPERTY OF PRO TOWER MANUFACTURING L.L.C. ANY REPRODUCTION IN PART OR AS A WHOLE WITHOUT THE WRITTEN PERMISSION OF PRO TOWER MANUFACTURING L.L.C. IS PROHIBITED.

DRAWN BY: AJK
CHECKED BY: E.FILMER
SHEET: 1 of 1

DATE: 9/13/2022
DATE: 9/13/2022
SCALE: NTS

REV
WEIGHT: 277.79