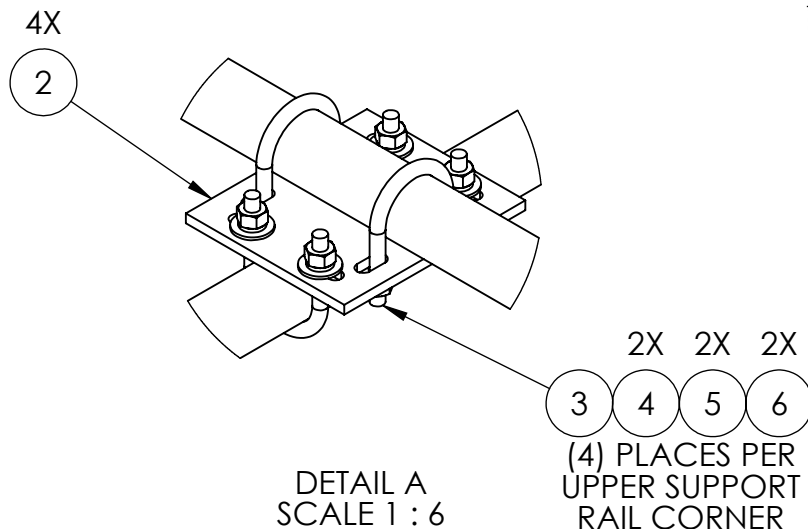
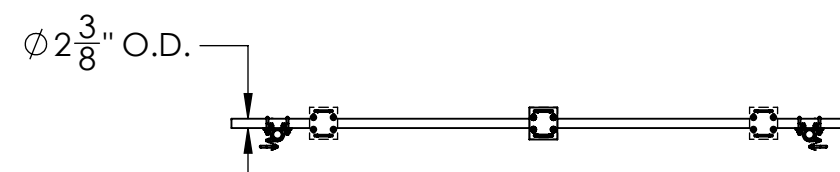
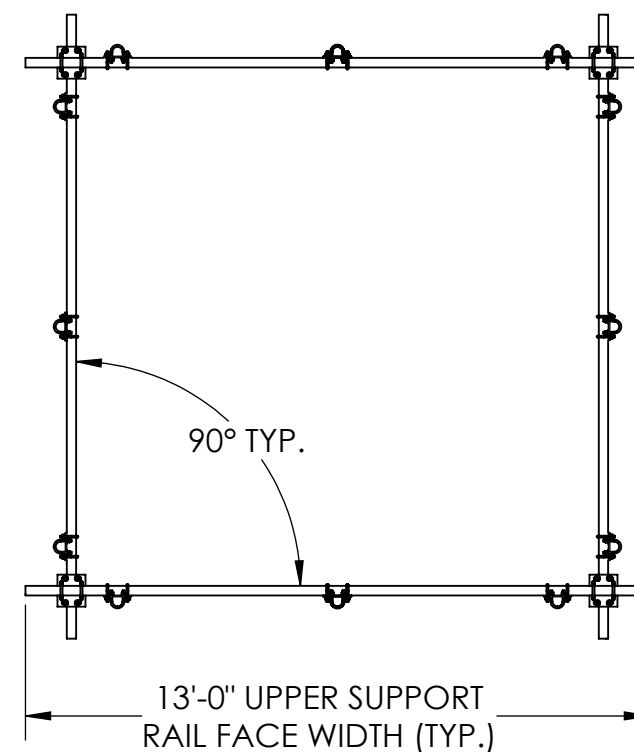
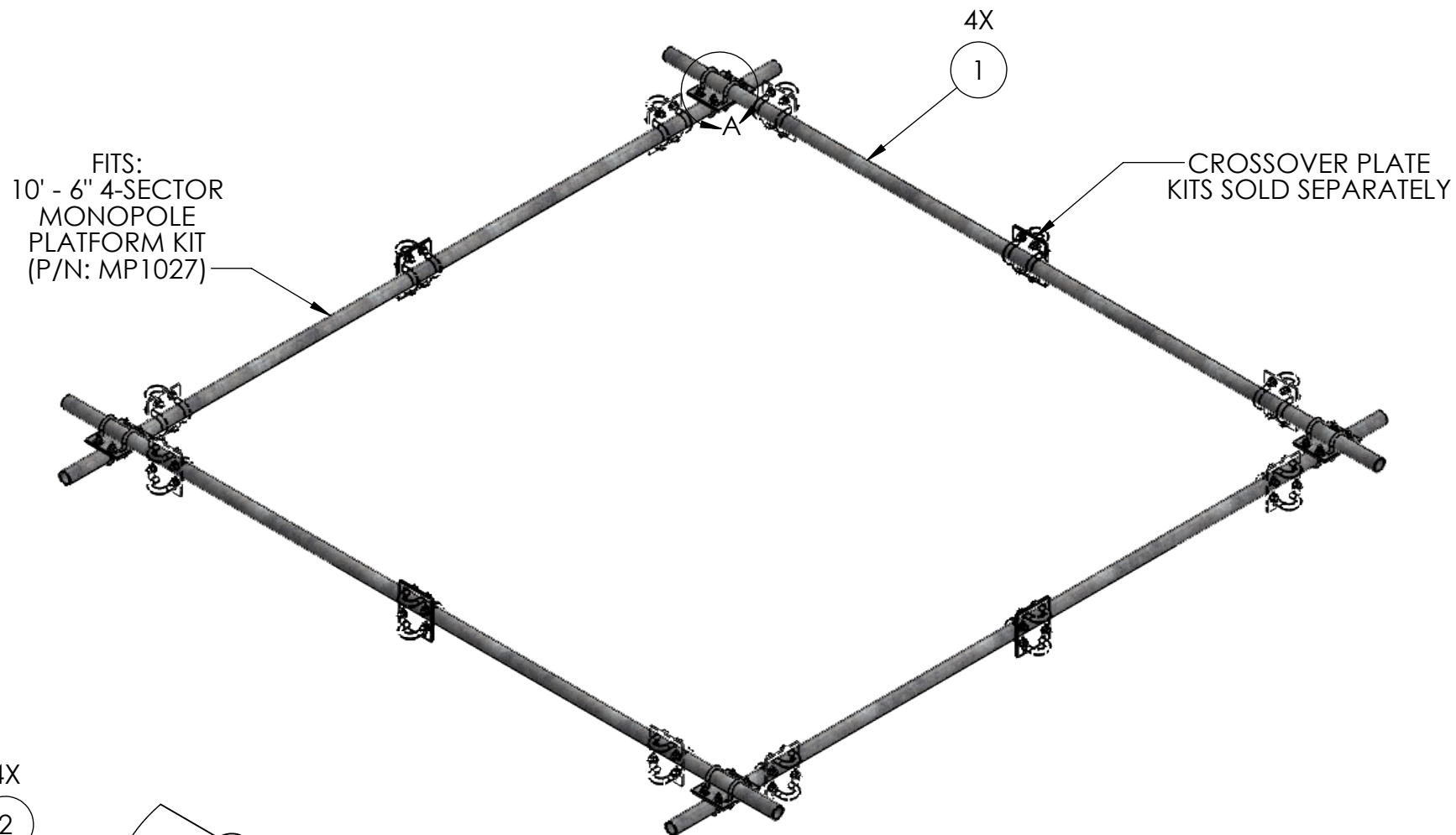


NOTES:
 -FITS 10FT - 6IN FACE MONOPOLE PLATFORM.
 -CUSTOMER TO SPECIFY EXISTING POLE DIAMETER.

ITEM NO.	PART NUMBER	DESCRIPTION	FINISH	WEIGHT (PER)	QTY.
1	GP2375.156	PLAIN END GALV PIPE, 2-3/8" O.D. x 156" (13'-0")	H.D.G.	47.66	4
2	TW1100	MEDIUM CROSSOVER PLATE (3/8" PLATE)	H.D.G.	5.43	4
3	GU42440	1/2" x 4" x 2-1/2" x 2" U-BOLT	H.D.G.	0.57	16
4	GF04	1/2" FLAT WASHER	H.D.G.	0.04	32
5	GL04	1/2" LOCK WASHER	H.D.G.	0.02	32
6	GN04A	1/2" HEX NUT (2H)	H.D.G.	0.06	32



UNLESS OTHERWISE SPECIFIED: DIMENSIONS ARE IN INCHES TOLERANCE $\pm 1/16$		DESCRIPTION: 10'-6" 4-SECTOR MP UPPER SUPPORT RAIL KIT, FITS 10' - 6" MP PLATFORM WITH 10" - 45" OD POLE	
MATERIAL -		 PRO TOWER MANUFACTURING L.L.C. 5601 San Francisco St. NE Albuquerque, N.M. 87109 (505) 924-2810	DWG NO: MP1103
FINISH H.D.G.			DRAWN BY: AJK CHECKED BY: E.FILMER SHEET: 1 of 1
SIZE B		DATE: 9/21/2022 DATE: 9/21/2022 SCALE: NTS	
PROPRIETARY AND CONFIDENTIAL THE INFORMATION CONTAINED IN THIS DRAWING IS THE SOLE PROPERTY OF PRO TOWER MANUFACTURING L.L.C. ANY REPRODUCTION IN PART OR AS A WHOLE WITHOUT THE WRITTEN PERMISSION OF PRO TOWER MANUFACTURING L.L.C. IS PROHIBITED.		REV WEIGHT: 225.32	