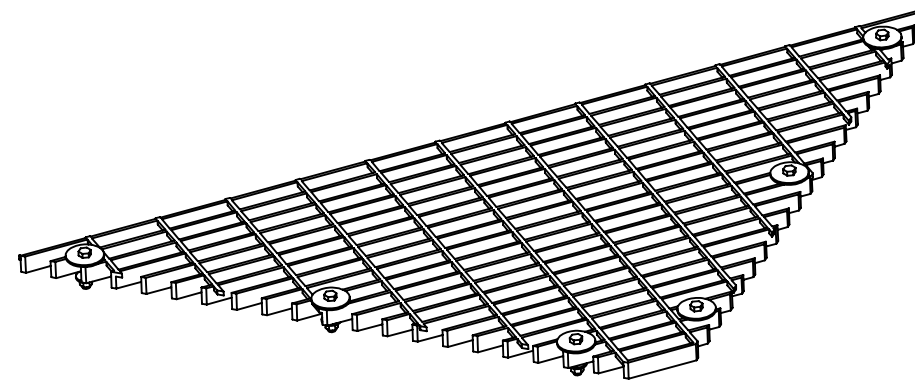
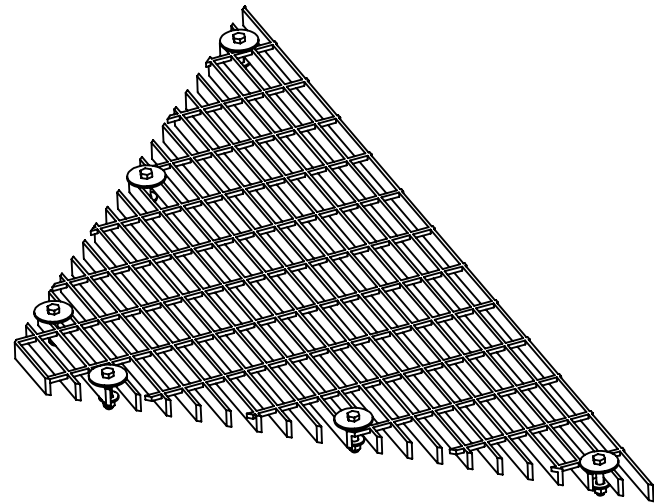
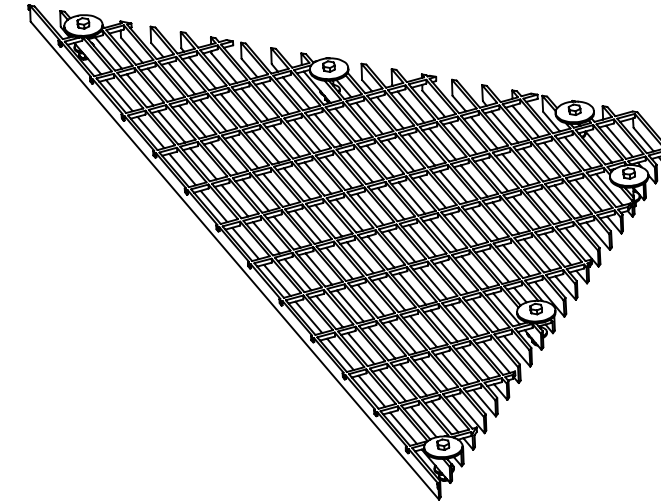
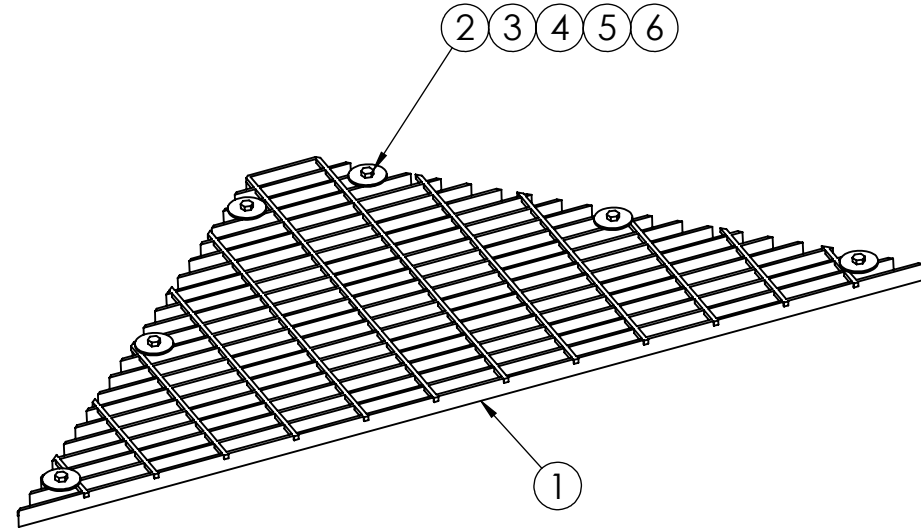


| ITEM NO. | PART NUMBER | DESCRIPTION | MATERIAL | FINISH | QTY. |
|----------|-------------|------------------------------------|----------|--------|------|
| 1 | MP1028.03 | GW 19W4 GRATING 24" x 51-3/4" x 1" | A36 | H.D.G. | 4 |
| 2 | GB03205 | 3/8" x 2" BOLT | GR.5 | H.D.G. | 24 |
| 3 | GF03L | 3/8" FENDER WASHER | GR.5 | H.D.G. | 24 |
| 4 | GF03 | 3/8" FLAT WASHER | GR.5 | H.D.G. | 24 |
| 5 | GL03 | 3/8" LOCK WASHER | GR.5 | H.D.G. | 24 |
| 6 | GN03 | 3/8" HEX NUT | GR.5 | H.D.G. | 24 |



| | | | | |
|---|--|---|---|--|
| UNLESS OTHERWISE SPECIFIED: DIMENSIONS ARE IN INCHES TOLERANCE ± 1/16 | | DESCRIPTION: 12'-6" 4-SECTOR MONOPOLE CO-LOCATION GRATING KIT, 10" TO 30" POLES | | |
| MATERIAL: - | |  PRO TOWER MANUFACTURING L.L.C. 5601 San Francisco St. NE Albuquerque, N.M. 87109 (505) 924-2810 | DWG NO: MP1028-G | |
| FINISH: H.D.G. | | | DRAWN BY: A.WECKMANN CHECKED BY: T.SMYTHE SHEET: 15 of 16 | DATE: 8/31/2018 DATE: 8/31/2018 SCALE: NTS |

SIZE
B

PROPRIETARY AND CONFIDENTIAL
 THE INFORMATION CONTAINED IN THIS
 DRAWING IS THE SOLE PROPERTY OF
 PRO TOWER MANUFACTURING L.L.C. ANY
 REPRODUCTION IN PART OR AS A WHOLE
 WITHOUT THE WRITTEN PERMISSION OF
 PRO TOWER MANUFACTURING L.L.C. IS
 PROHIBITED.