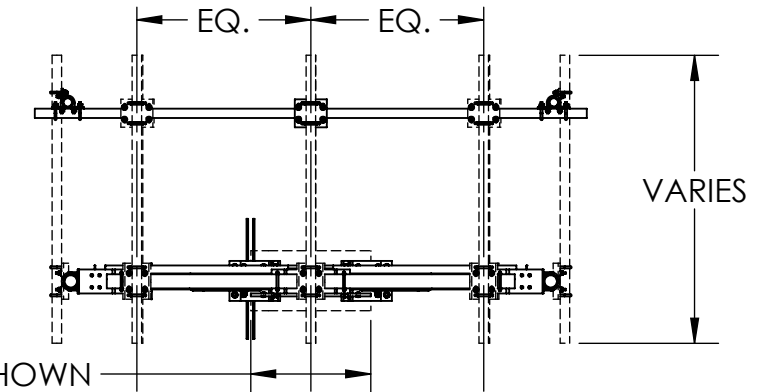
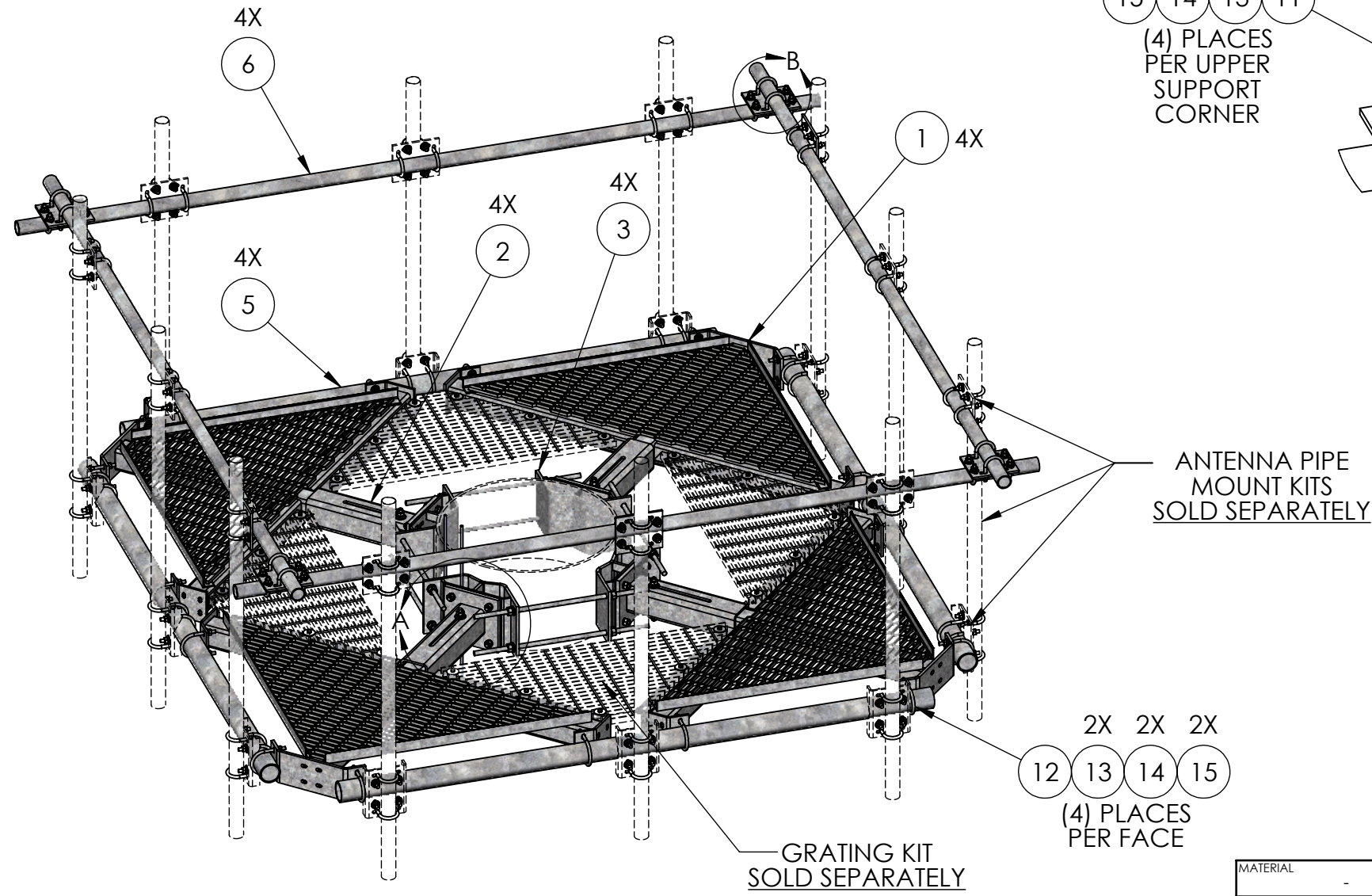
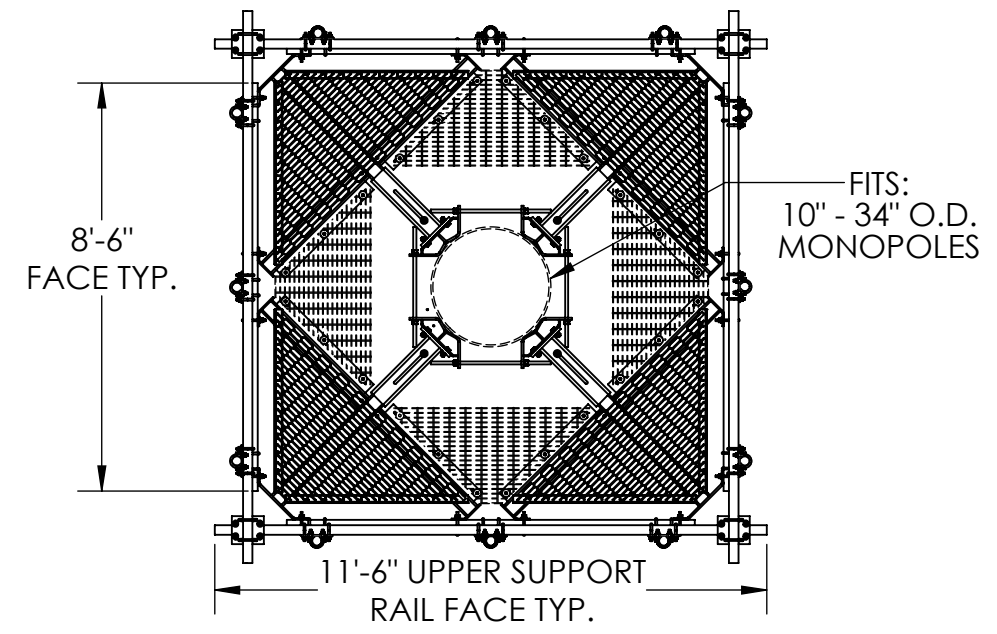
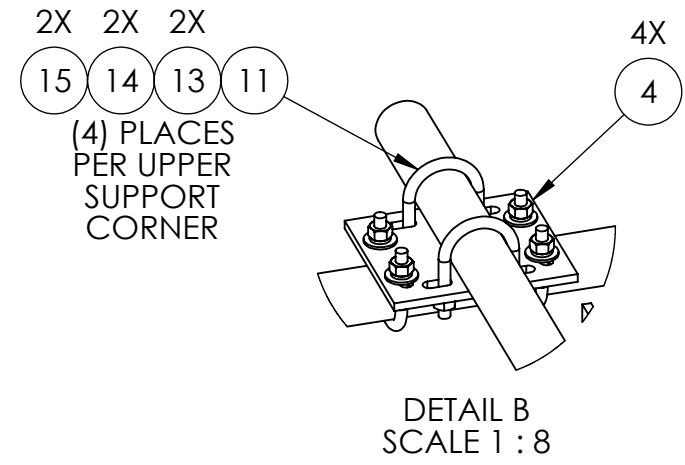
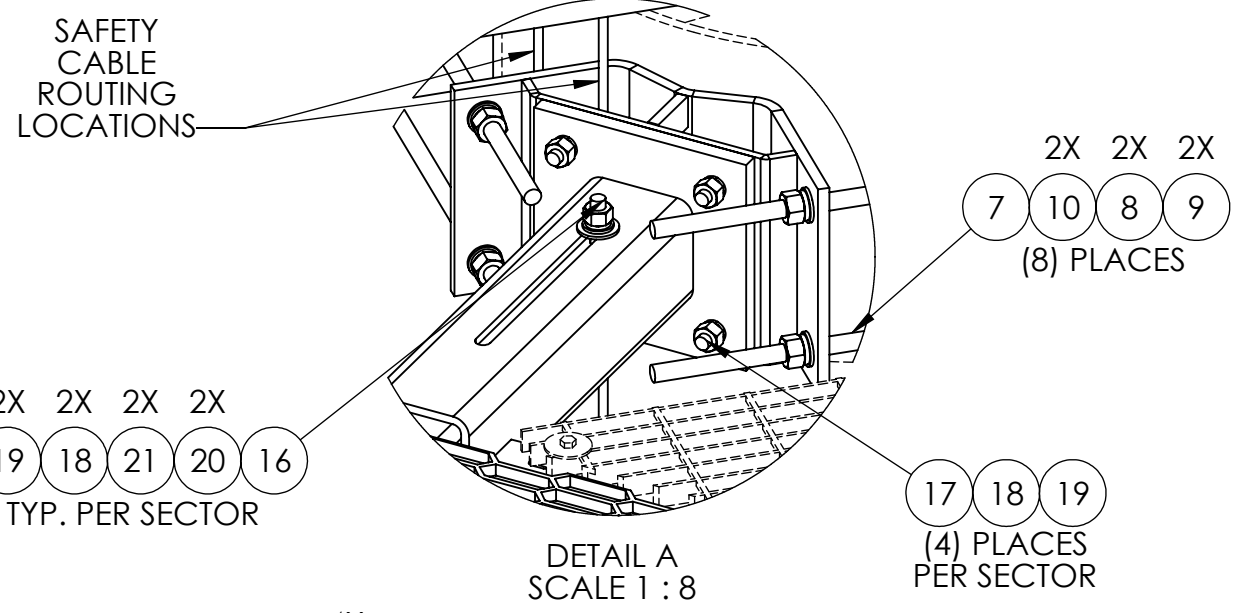


NOTES:
 -CUSTOM ORDER ONLY
 -MONOPOLE PLATFORM KIT FITS 10" TO 34" OD MONOPOLE. IF POLE IS 35" TO 45" OD THAN LONGER 3-1/2" OD FACE PIPES (110") & 2-3/8" OD UPPER SUPPORT RAIL PIPE (144") WILL BE REQUIRED. (CUSTOMER MUST SPECIFY EXISTING POLE DIAMETER)
 -GALV. THREADED ROD WILL REQUIRE FIELD TRIM TO FIT IF MONOPOLE IS LESS THAN 20" OD.

ITEM NO.	PART NUMBER	DESCRIPTION	FINISH	WEIGHT (PER)	QTY.
1	MP1026.01	SMALL 4-SECTOR MONOPOLE PLATFORM SECTION (WELDMENT)	H.D.G.	228.81	4
2	MP1026.02	4-SECTOR SMALL TUBE ARM (WELDMENT)	H.D.G.	56.59	4
3	MP1005.01	4 SECTOR 10IN, 10" TO 45" RING MOUNT (WELDMENT)	H.D.G.	45.40	4
4	TW1100	MEDIUM CROSSOVER PLATE (3/8" PLATE)	H.D.G.	5.43	4
5	GP3500.102	PLAIN END GALV PIPE, 3-1/2" O.D. x 102" (8'-6")	H.D.G.	64.63	4
6	GP2375.138	2-3/8" O.D. x 138" PLAIN END PIPE	H.D.G.	42.16	4
7	GR750.030	3/4" x 30" GALV. THREADED ROD	H.D.G.	3.77	8
8	GL06	3/4" LOCK WASHER	H.D.G.	0.05	16
9	GN06A	3/4" HEX NUT (2H)	H.D.G.	0.18	16
10	GF06A	3/4" FLAT WASHER	H.D.G.	0.05	16
11	GU42440	1/2" x 4" x 2-1/2" x 2" U-BOLT	H.D.G.	0.57	16
12	GU43550	1/2" x 5-1/2" x 3-5/8" x 2-1/2" U-BOLT	H.D.G.	0.77	16
13	GF04	1/2" FLAT WASHER	H.D.G.	0.04	64
14	GL04	1/2" LOCK WASHER	H.D.G.	0.02	64
15	GN04A	1/2" HEX NUT (2H)	H.D.G.	0.06	64
16	GR625.008	5/8" X 8" THREADED ROD	H.D.G.	0.70	4
17	GB0522A	5/8" x 2-1/4" HEX BOLT	H.D.G.	0.31	16
18	GL05	5/8" LOCK WASHER	H.D.G.	0.03	24
19	GN05A	5/8" HEX NUT (2H)	H.D.G.	0.12	24
20	GF05	5/8" FLAT WASHER	H.D.G.	0.08	8
21	GF05A	5/8" FLAT WASHER	H.D.G.	0.03	8



UNLESS OTHERWISE SPECIFIED: DIMENSIONS ARE IN INCHES TOLERANCE ± 1/16		DESCRIPTION: 8'-6" 4-SECTOR MONOPOLE PLATFORM KIT WITH UPPER SUPPORT RAIL, FITS 10" - 34" POLES		DWG NO: MP1060	
MATERIAL: -		PRO TOWER MANUFACTURING L.L.C. 5601 San Francisco St. NE Albuquerque, N.M. 87109 (505) 924-2810		DRAWN BY: AJK	
FINISH: H.D.G.				DATE: 9/19/2022	
PROPRIETARY AND CONFIDENTIAL THE INFORMATION CONTAINED IN THIS DRAWING IS THE SOLE PROPERTY OF PRO TOWER MANUFACTURING L.L.C. ANY REPRODUCTION IN PART OR AS A WHOLE WITHOUT THE WRITTEN PERMISSION OF PRO TOWER MANUFACTURING L.L.C. IS PROHIBITED.		CHECKED BY: E. FILMER SHEET: 1 of 1		DATE: 9/19/2022 SCALE: NTS REV: _____ WEIGHT: 1,848.08	