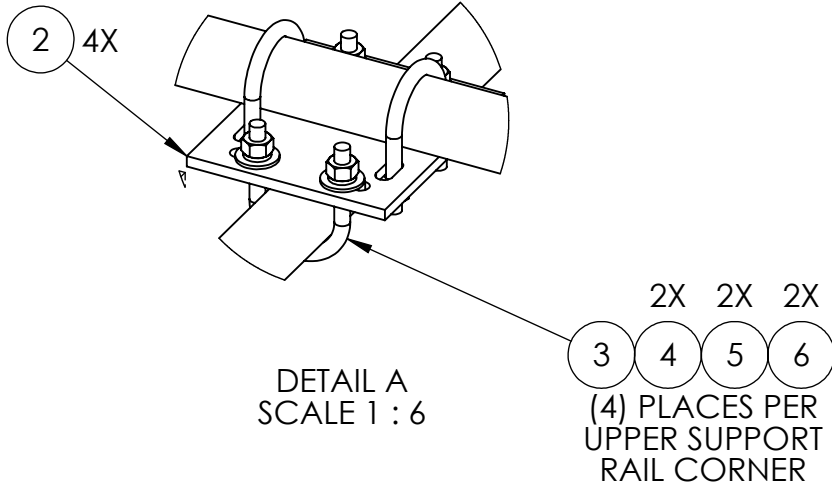
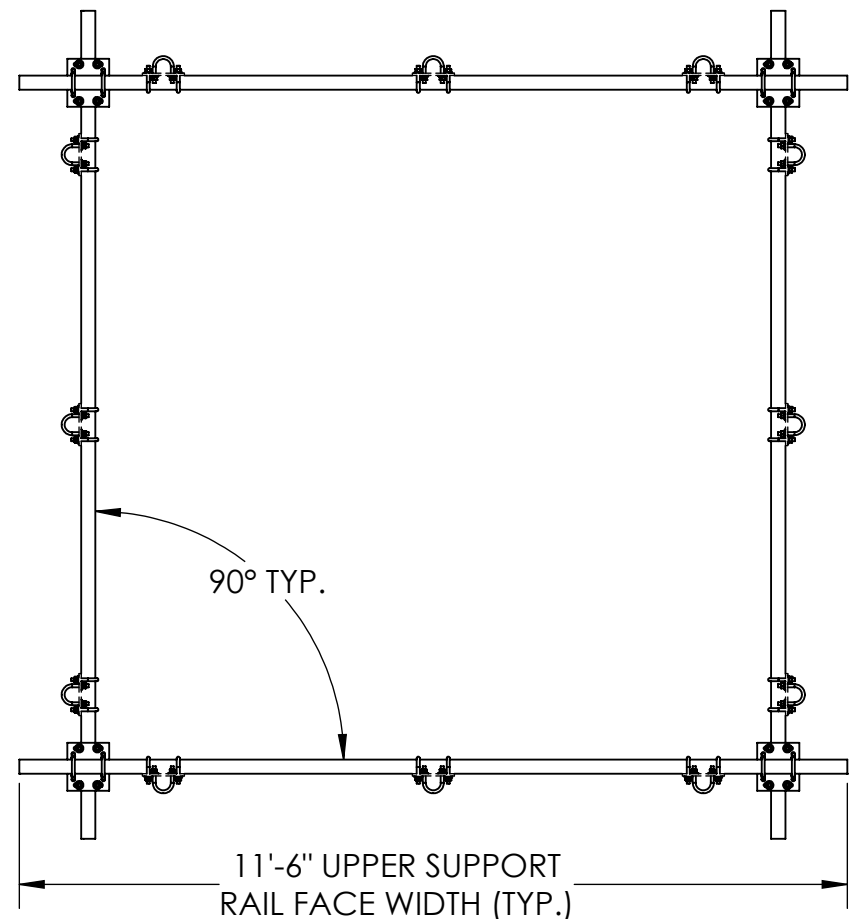
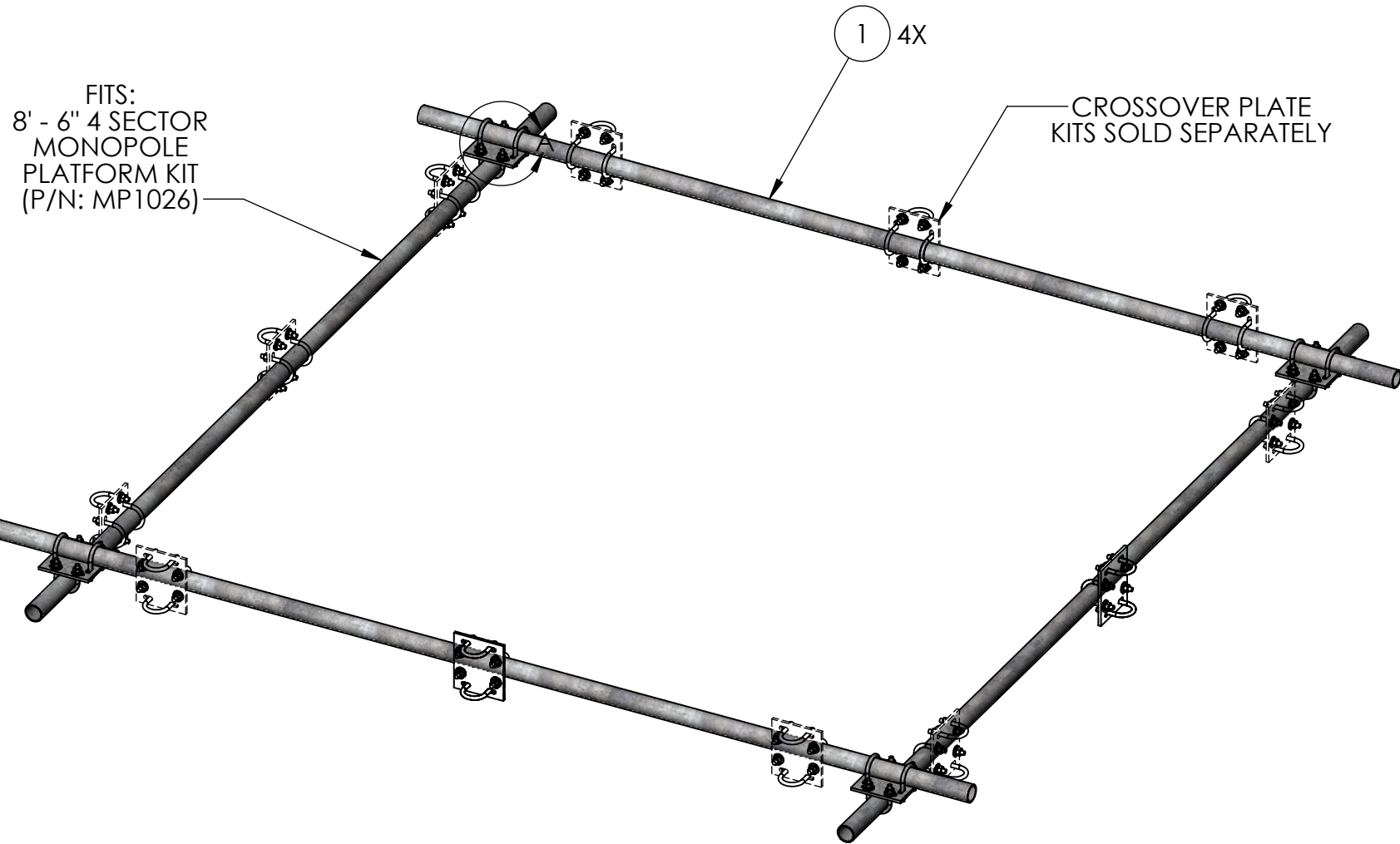


NOTES:
 -FITS 8FT - 6IN FACE MONOPOLE PLATFORM.
 -IF MONOPOLE IS 35IN TO 45IN OD THAN LONGER UPPER SUPPORT RAIL PIPES WILL BE REQUIRED.
 -CUSTOMER TO SPECIFY EXISTING POLE DIAMETER.

ITEM NO.	PART NUMBER	DESCRIPTION	FINISH	WEIGHT (PER)	QTY.
1	GP2375.138	2-3/8" O.D. x 138" PLAIN END PIPE	H.D.G.	42.16	4
2	TW1100	MEDIUM CROSSOVER PLATE (3/8" PLATE)	H.D.G.	5.43	4
3	GU42440	1/2" x 4" x 2-1/2" x 2" U-BOLT	H.D.G.	0.57	16
4	GF04	1/2" FLAT WASHER	H.D.G.	0.04	32
5	GL04	1/2" LOCK WASHER	H.D.G.	0.02	32
6	GN04A	1/2" HEX NUT (2H)	H.D.G.	0.06	32



UNLESS OTHERWISE SPECIFIED: DIMENSIONS ARE IN INCHES TOLERANCE ± 1/16		DESCRIPTION: 8'-6" 4-SECTOR MP UPPER SUPPORT RAIL KIT, FITS 8' - 6" MP PLATFORM WITH 10" - 34" OD POLE		
MATERIAL: -		 PRO TOWER MANUFACTURING L.L.C. 5601 San Francisco St. NE Albuquerque, N.M. 87109 (505) 924-2810	DWG NO: MP1102	
FINISH: H.D.G.			DRAWN BY: AJK CHECKED BY: E.FILMER SHEET: 1 of 1	DATE: 9/21/2022 DATE: 9/21/2022 SCALE: NTS