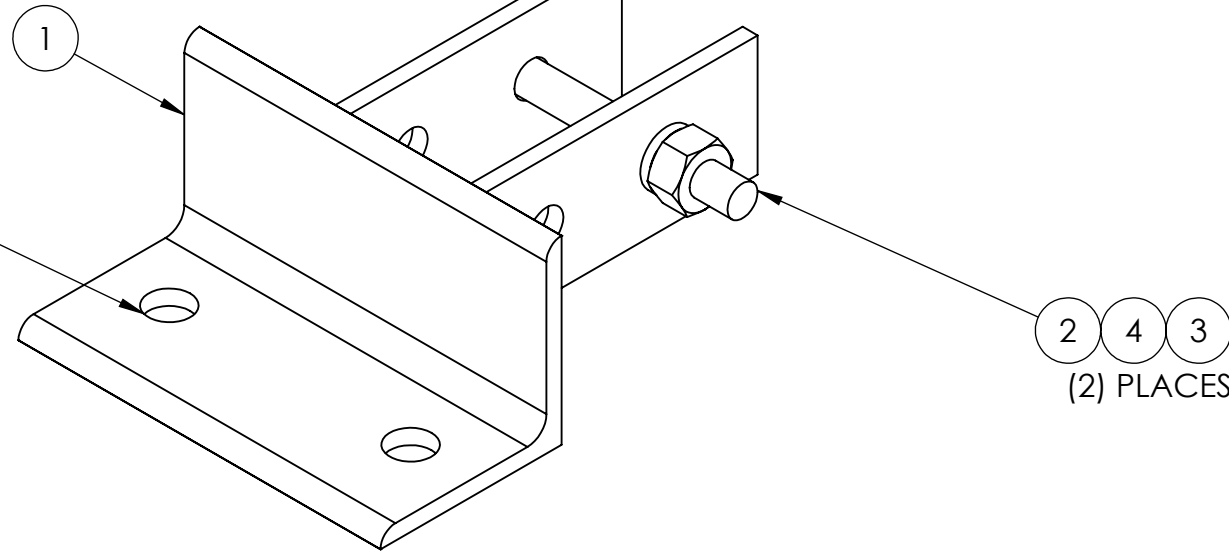
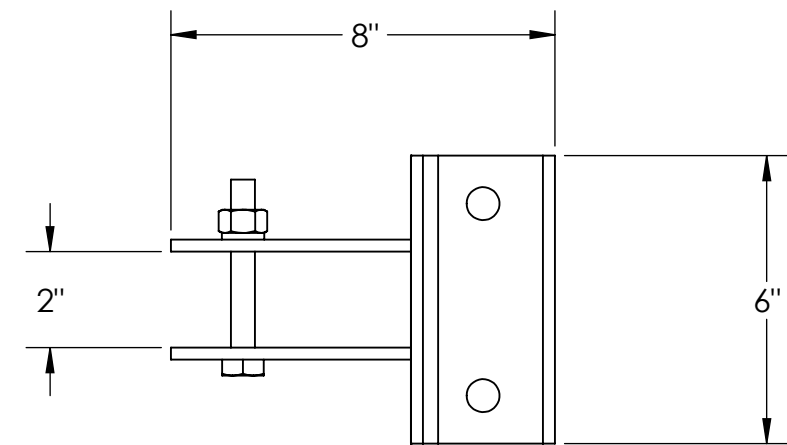
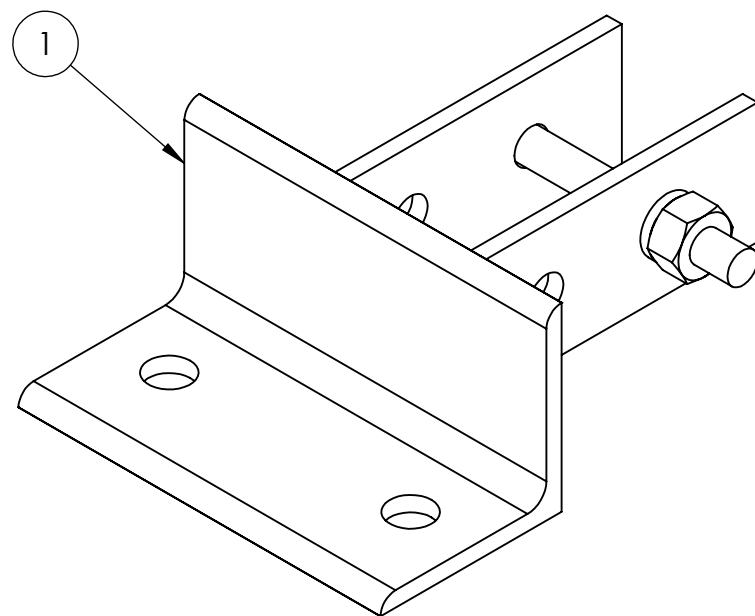
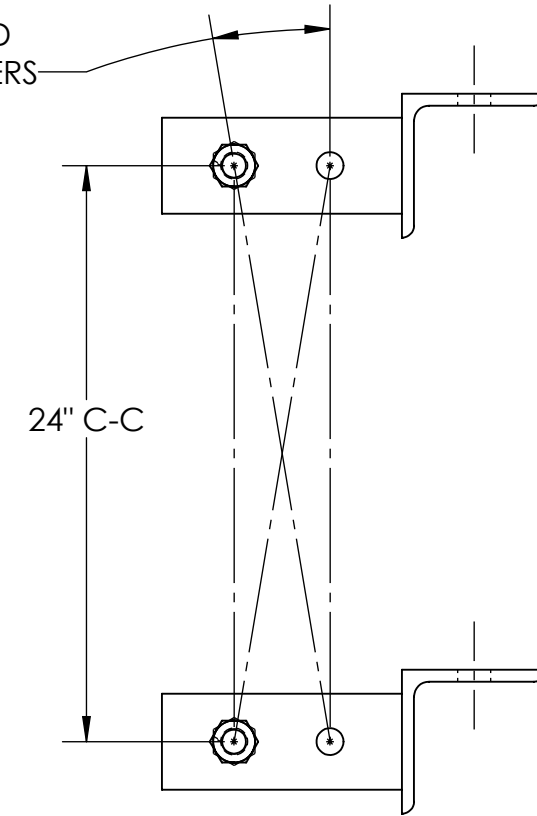


ITEM NO.	PART NUMBER	DESCRIPTION	FINISH	WEIGHT (PER)	QTY.
1	TW1279.01	LIGHTWEIGHT STAND-OFF ADAPTER BRACKET (WELDMENT)	H.D.G.	3.74	2
2	GB0436A	1/2" x 3-3/4" HEX BOLT	H.D.G.	0.27	2
3	GL04	1/2" LOCK WASHER	H.D.G.	0.02	2
4	GN04A	1/2" HEX NUT (2H)	H.D.G.	0.06	2

THRU HOLES FOR
Ø5/8 BOLTS
(TYP.)



4.5° TILT REARWARD/FORWARD
CAPABLE WHEN BRACKET CENTERS
AT 24" C-C (TYP.)



UNLESS OTHERWISE SPECIFIED: DIMENSIONS ARE IN INCHES TOLERANCE ± 1/16		DESCRIPTION: SADDLE MOUNT & CHAIN MOUNT LIGHTWEIGHT STAND-OFF ADAPTER FOOT, KIT OF 2	
MATERIAL: -		 PRO TOWER MANUFACTURING L.L.C. 5601 San Francisco St. NE Albuquerque, N.M. 87109 (505) 924-2810	DWG NO: TW1279
FINISH: H.D.G.			DRAWN BY: AJK CHECKED BY: E. FILMER SHEET: 1 of 1
SIZE B		PROPRIETARY AND CONFIDENTIAL THE INFORMATION CONTAINED IN THIS DRAWING IS THE SOLE PROPERTY OF PRO TOWER MANUFACTURING L.L.C. ANY REPRODUCTION IN PART OR AS A WHOLE WITHOUT THE WRITTEN PERMISSION OF PRO TOWER MANUFACTURING L.L.C. IS PROHIBITED.	
		REV WEIGHT: 8.16	