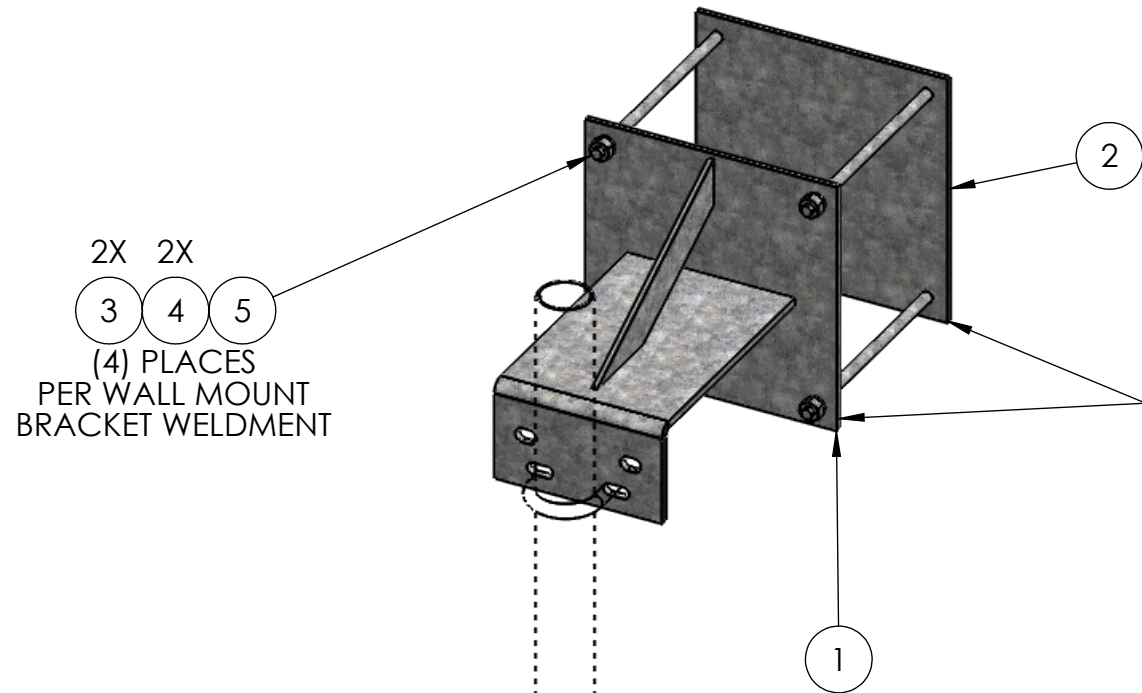


NOTES:

- FITS 2-3/8" TO 4-1/2" O.D. ANTENNA PIPES
- U-BOLTS & ANTENNA PIPE SOLD SEPARATELY

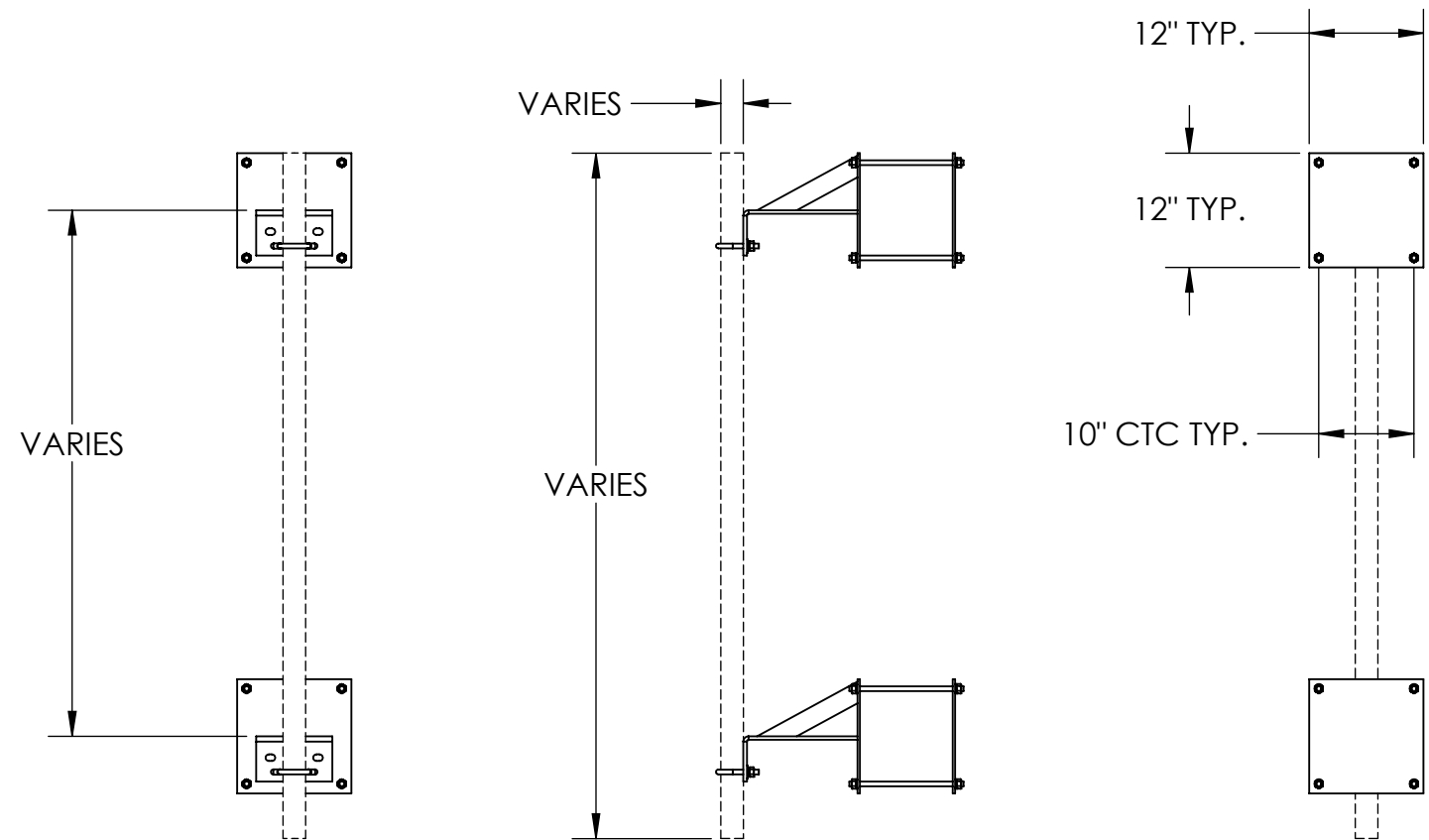
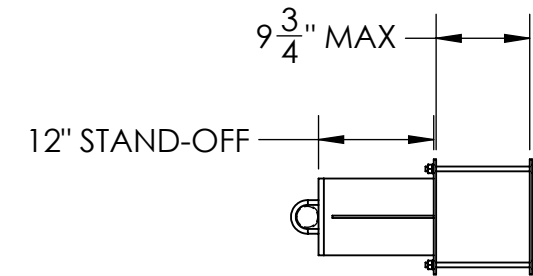
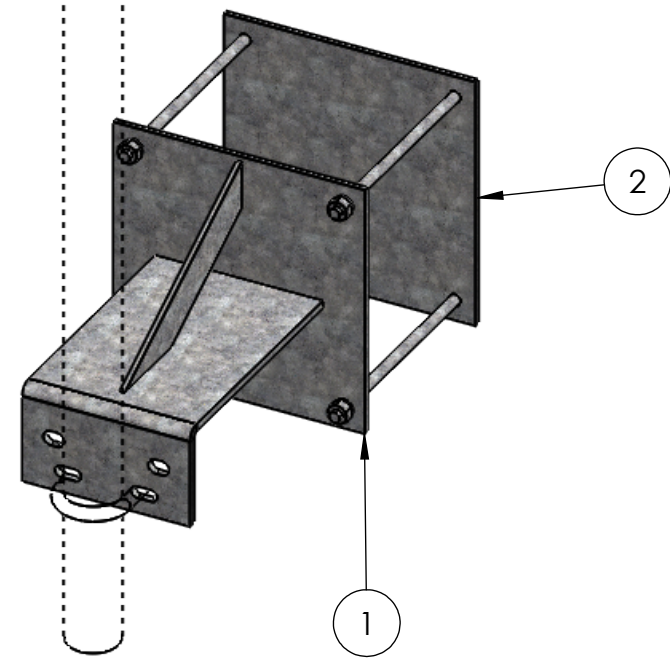
ITEM NO.	PART NUMBER	DESCRIPTION	FINISH	WEIGHT (PER)	QTY.
1	RT1104.01	12" WALL MOUNT BRACKET (WELDMENT)	H.D.G.	25.11	2
2	RT1101.02	WALL MOUNT BACKING PLATE (1/4" PLATE)	H.D.G.	10.16	2
3	GL04	1/2" LOCK WASHER	H.D.G.	0.02	16
4	GN04A	1/2" HEX NUT (2H)	H.D.G.	0.06	16
5	GR500.012	1/2" x 12" THREADED ROD	H.D.G.	0.67	8

U-BOLT ASSEMBLIES (SOLD SEPARATELY)				
PART NUMBER	DESCRIPTION	PIPE O.D.	FINISH	
GUA42440	1/2" x 4" x 2-1/2" x 2" U-BOLT ASSM.	Ø2-3/8"	H.D.G.	
GUA43045	1/2" x 4-1/2" x 3" x 2" U-BOLT ASSM.	Ø2-7/8"	H.D.G.	
GUA43550	1/2" x 5" x 3-5/8" x 2" U-BOLT ASSM.	Ø3-1/2"	H.D.G.	
GUA54564	5/8" x 6-1/2" x 4-5/8" x 3" U-BOLT ASSM.	Ø4-1/2"	H.D.G.	



EXISTING HOLLOW WALL TO BE SANDWICHED BETWEEN MOUNT PLATES

CUSTOMER MUST SPECIFY PIPE DIAMETER & LENGTH. HARDWARE WILL BE INCLUDED. (ORDER SEPARATELY)



UNLESS OTHERWISE SPECIFIED: DIMENSIONS ARE IN INCHES TOLERANCE ± 1/16		DESCRIPTION: HOLLOW WALL MOUNT, 12" STAND-OFF FOR 2-3/8" - 4-1/2" O.D. PIPE, NO PIPE MOUNTS, KIT OF 2	
SIZE B	PROPRIETARY AND CONFIDENTIAL THE INFORMATION CONTAINED IN THIS DRAWING IS THE SOLE PROPERTY OF PRO TOWER MANUFACTURING L.L.C. ANY REPRODUCTION IN PART OR AS A WHOLE WITHOUT THE WRITTEN PERMISSION OF PRO TOWER MANUFACTURING L.L.C. IS PROHIBITED.	 PRO TOWER MANUFACTURING L.L.C. 5601 San Francisco St. NE Albuquerque, N.M. 87109 (505) 924-2810	DWG NO: RT1105
MATERIAL -	FINISH H.D.G.		DRAWN BY: A.J.K. CHECKED BY: E. FILMER SHEET: 1 of 1
		REV WEIGHT: 78.60	