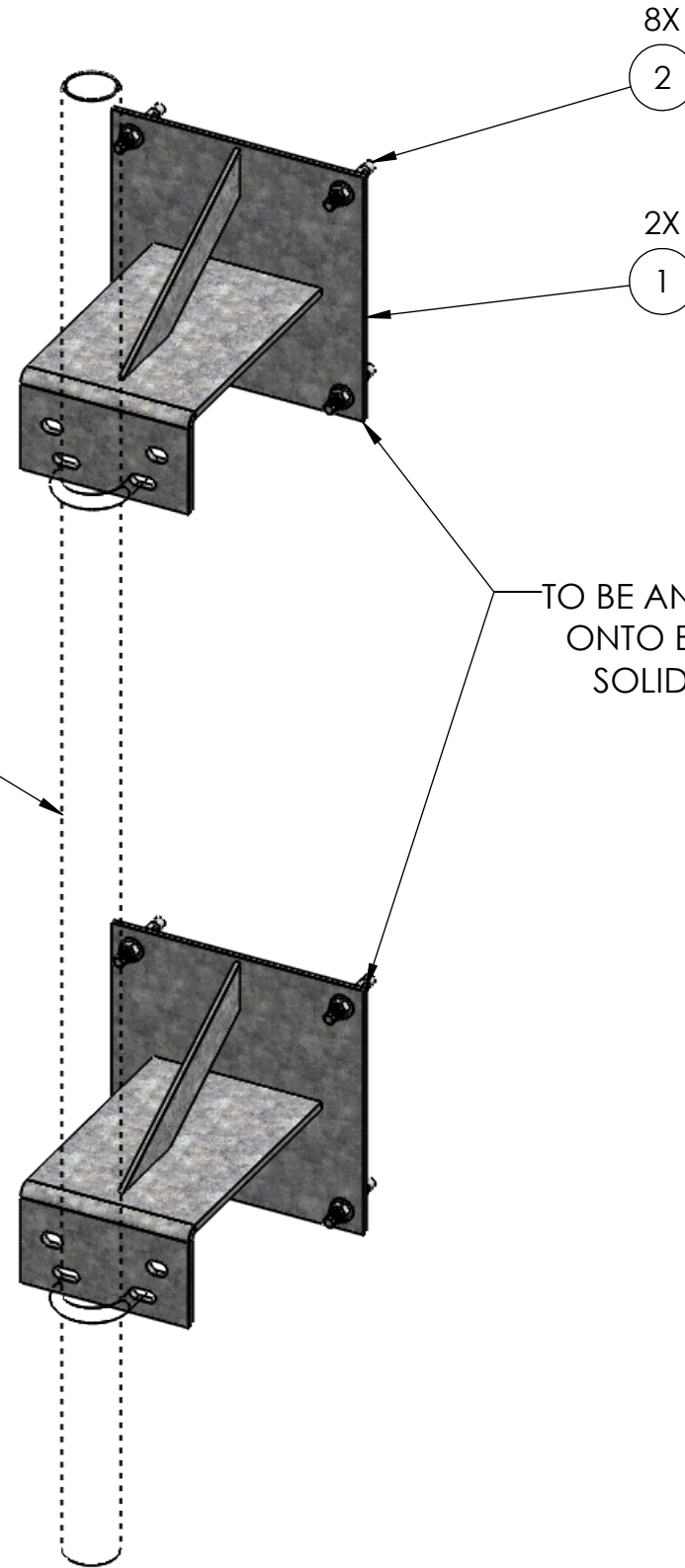


NOTES:
 -2-3/8" TO 4-1/2" O.D. ANTENNA PIPES
 -U-BOLTS & ANTENNA PIPE SOLD SEPARATELY

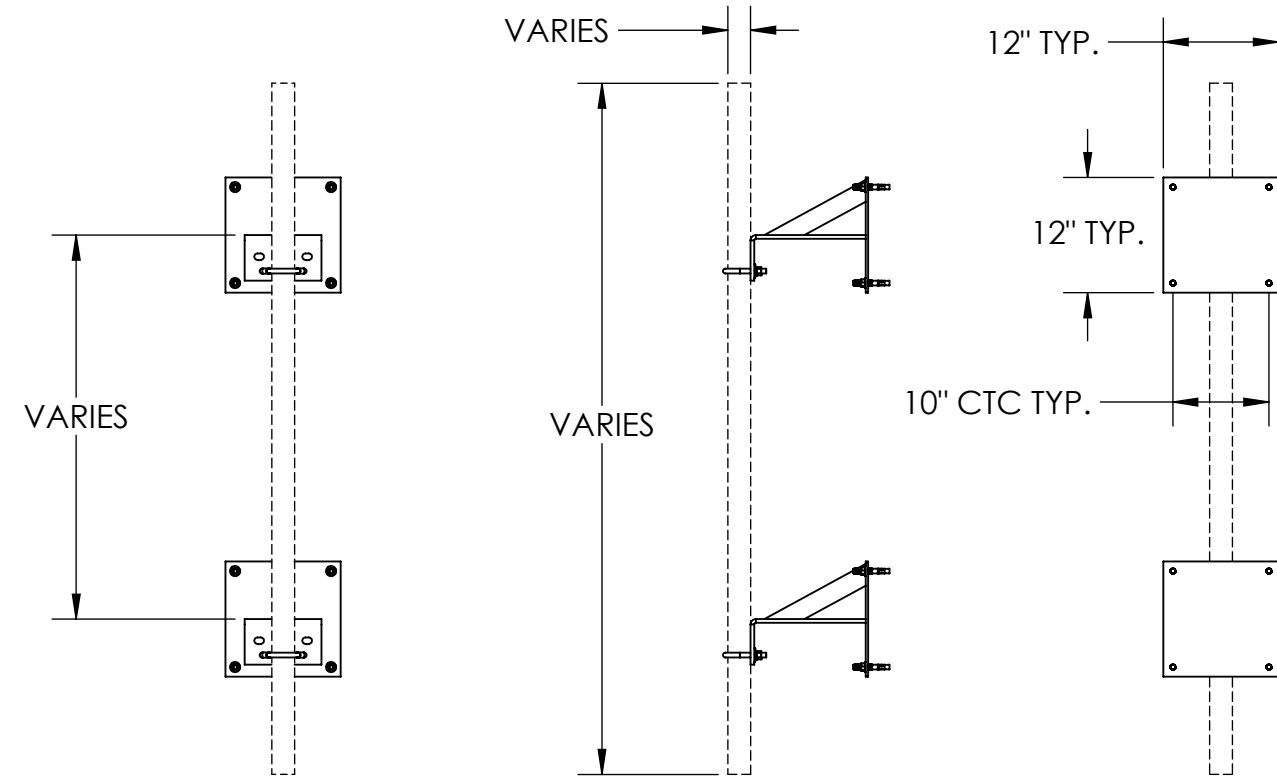
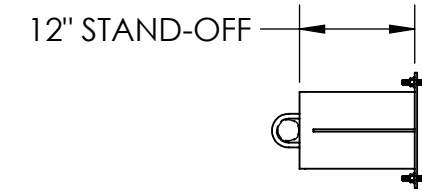
ITEM NO.	PART NUMBER	DESCRIPTION	FINISH	WEIGHT (PER)	QTY.
1	RT1104.01	12" WALL MOUNT BRACKET (WELDMENT)	H.D.G.	25.11	2
2	WA0436	1/2" x 3-3/4" WEDGE ANCHOR	ZINC PLATED	0.22	8


U-BOLT ASSEMBLIES (SOLD SEPARATELY)			
PART NUMBER	DESCRIPTION	PIPE O.D.	FINISH
GUA42440	1/2" x 4" x 2-1/2" x 2" U-BOLT ASSM.	Ø2-3/8"	H.D.G.
GUA43045	1/2" x 4-1/2" x 3" x 2" U-BOLT ASSM.	Ø2-7/8"	H.D.G.
GUA43550	1/2" x 5" x 3-5/8" x 2" U-BOLT ASSM.	Ø3-1/2"	H.D.G.
GUA54564	5/8" x 6-1/2" x 4-5/8" x 3" U-BOLT ASSM.	Ø4-1/2"	H.D.G.



CUSTOMER MUST SPECIFY
 PIPE DIAMETER & LENGTH.
 HARDWARE WILL BE INCLUDED
 (ORDER SEPARATELY)

TO BE ANCHORED
 ONTO EXISTING
 SOLID WALL



UNLESS OTHERWISE SPECIFIED: DIMENSIONS ARE IN INCHES TOLERANCE ± 1/16		DESCRIPTION: SOLID WALL MOUNT, 12" STAND-OFF, FITS 2-3/8" - 4-1/2" O.D. PIPE, NO PIPE MOUNTS, KIT OF 2	
MATERIAL	-	 PRO TOWER MANUFACTURING L.L.C. 5601 San Francisco St. NE Albuquerque, N.M. 87109 (505) 924-2810	DWG NO: RT1104
FINISH	H.D.G.		DRAWN BY: A.J.K. CHECKED BY: E. FILMER SHEET: 1 of 1
SIZE	B	REV WEIGHT: 53.62	