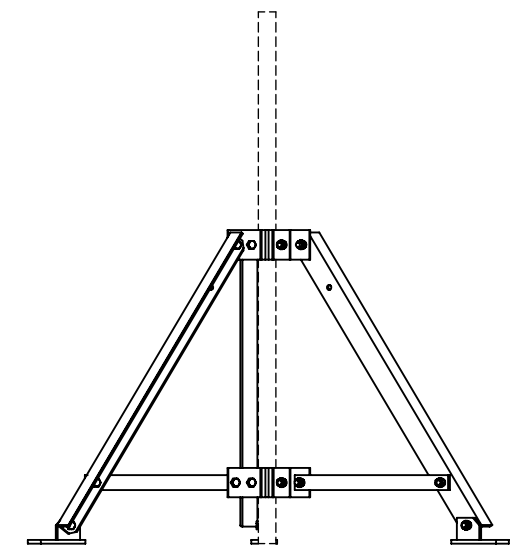
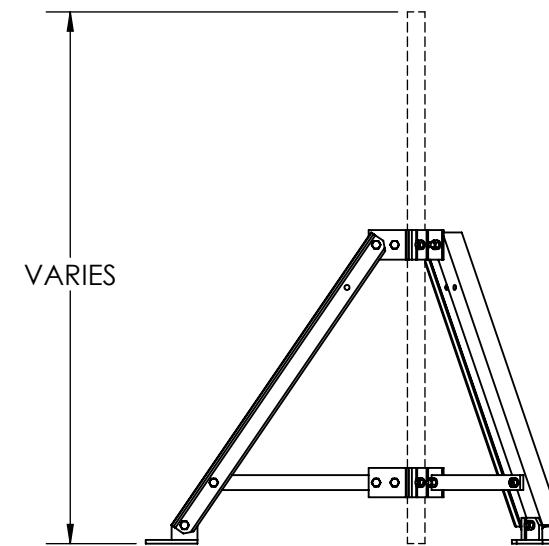
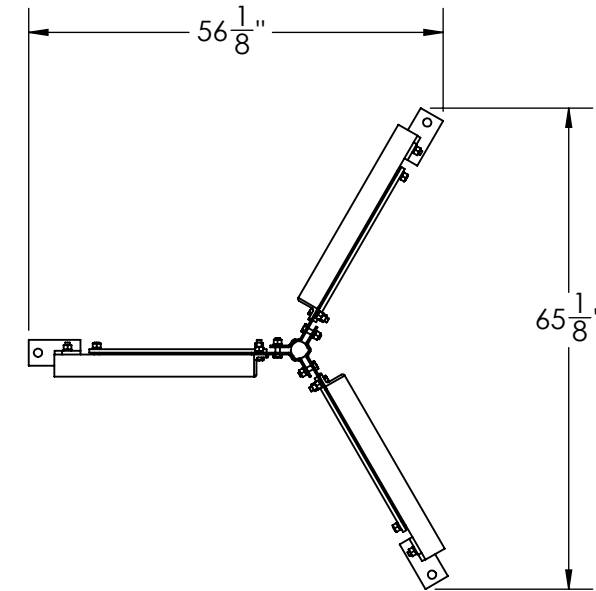
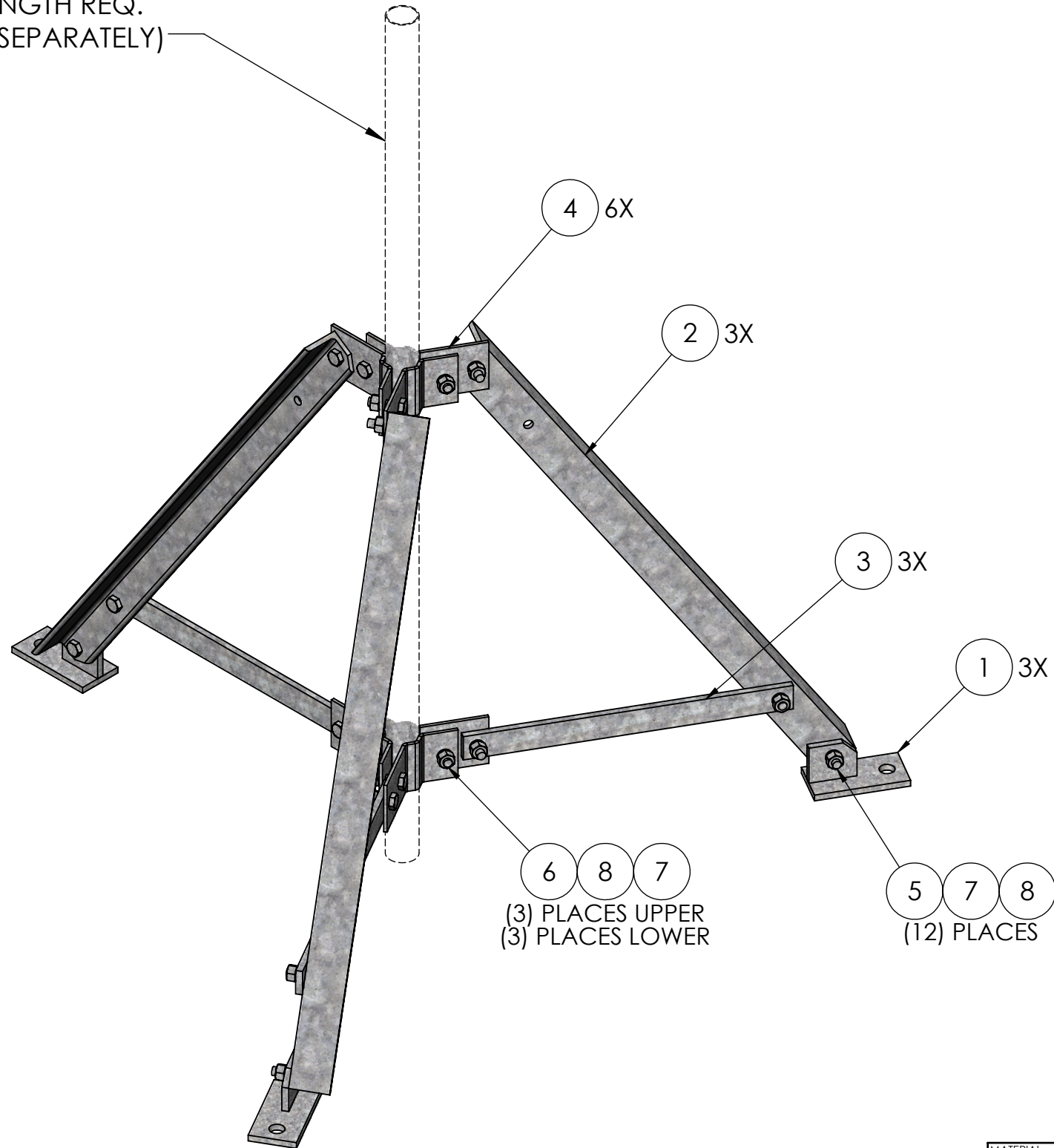


ITEM NO.	PART NUMBER	DESCRIPTION	FINISH	WEIGHT (PER)	QTY.
1	RT1200.01	TRIPOD FOOT WELDMENT	H.D.G.	4.71	3
2	RT1200.02	TRIPOD STRUT (L3" x 3" x 3/8" x 48")	H.D.G.	28.25	3
3	RT1200.03	TRIPOD SUPPORT (F.B. 1/2" x 2" x 24")	H.D.G.	6.72	3
4	RT1200.04	2-3/8" TRIPOD CLAMP (1/4" PLATE)	H.D.G.	2.66	6
5	GB0520A	5/8" x 2" HEX BOLT	H.D.G.	0.28	12
6	GB0522A	5/8" x 2-1/4" HEX BOLT	H.D.G.	0.31	6
7	GL05	5/8" LOCK WASHER	H.D.G.	0.03	18
8	GN05A	5/8" HEX NUT (2H)	H.D.G.	0.12	18

CUSTOMER MUST SPECIFY  
PIPE LENGTH REQ.  
(ORDER SEPARATELY)



UNLESS OTHERWISE SPECIFIED: DIMENSIONS ARE IN INCHES TOLERANCE ± 1/16		DESCRIPTION: 2-3/8" TRIPOD MOUNT, NO PIPE	
MATERIAL -		 <b>PRO TOWER MANUFACTURING L.L.C.</b> 5601 San Francisco St. NE Albuquerque, N.M. 87109 (505) 924-2810	DWG NO: RT1201
FINISH H.D.G.			DRAWN BY: AJK CHECKED BY: E.FILMER SHEET: 1 of 1
SIZE <b>B</b>	PROPRIETARY AND CONFIDENTIAL THE INFORMATION CONTAINED IN THIS DRAWING IS THE SOLE PROPERTY OF PRO TOWER MANUFACTURING L.L.C. ANY REPRODUCTION IN PART OR AS A WHOLE WITHOUT THE WRITTEN PERMISSION OF PRO TOWER MANUFACTURING L.L.C. IS PROHIBITED.		REV WEIGHT: 142.86