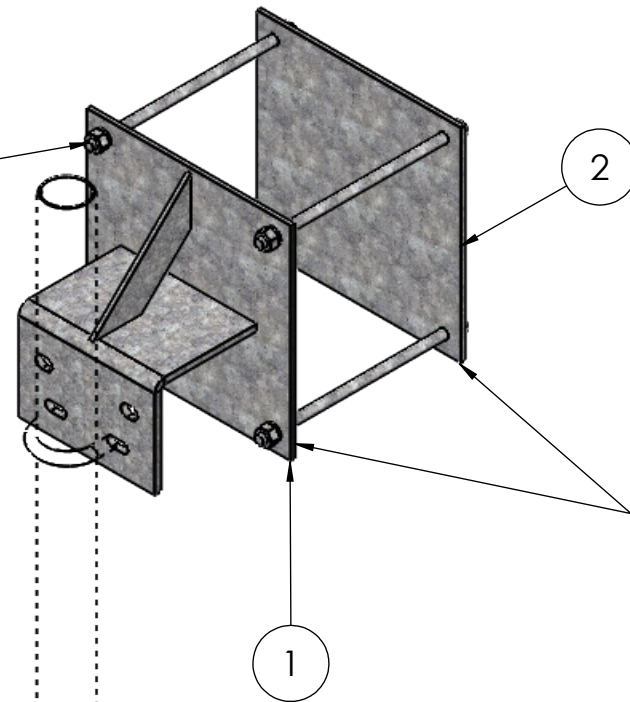


NOTES:
 -FITS 2-3/8" TO 4-1/2" O.D. ANTENNA PIPES
 -U-BOLTS & ANTENNA PIPE SOLD SEPARATELY

ITEM NO.	PART NUMBER	DESCRIPTION	FINISH	WEIGHT (PER)	QTY.
1	RT1101.01	WALL MOUNT BRACKET (WELDMENT)	H.D.G.	20.75	2
2	RT1101.02	WALL MOUNT BACKING PLATE (1/4" PLATE)	H.D.G.	10.37	2
3	GL04	1/2" LOCK WASHER	H.D.G.	0.02	16
4	GN04A	1/2" HEX NUT (2H)	H.D.G.	0.06	16
5	GR500.012	1/2" x 12" THREADED ROD	H.D.G.	0.67	8

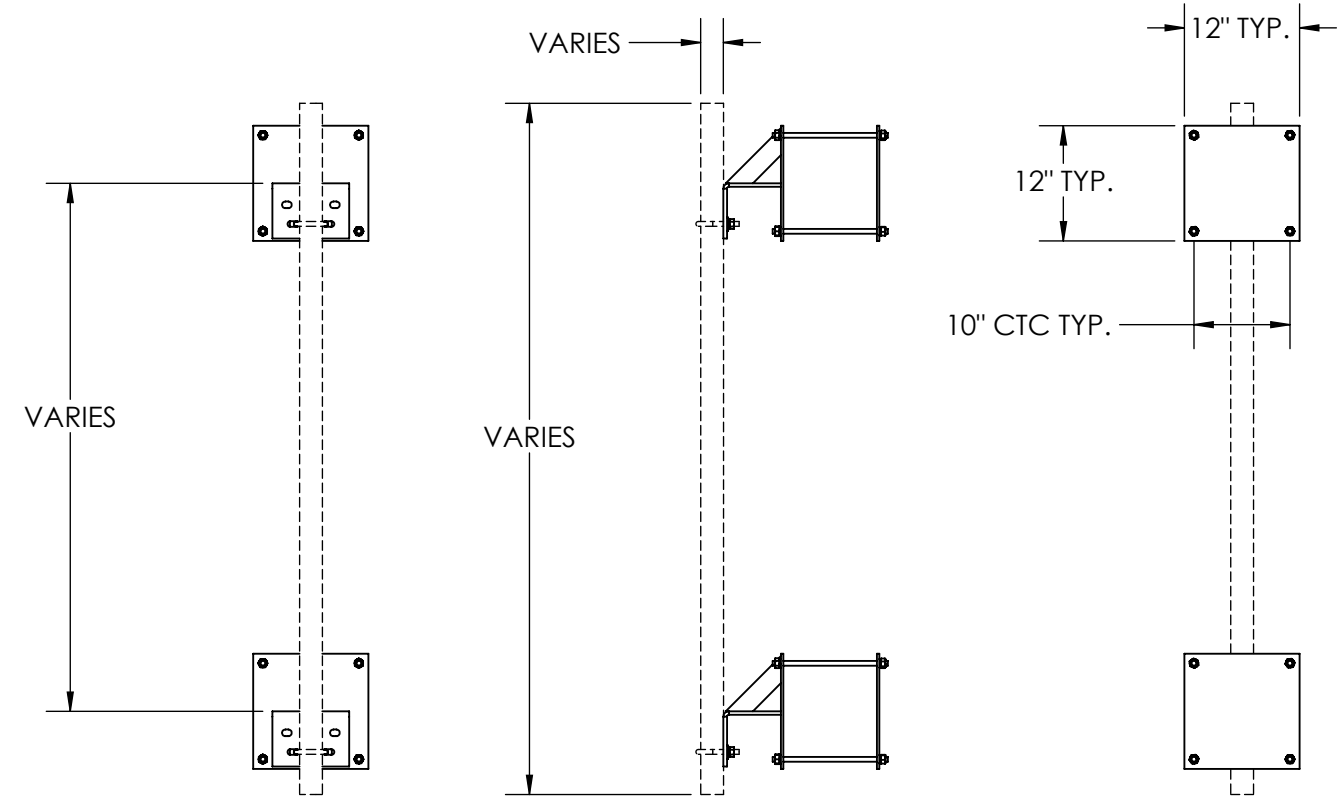
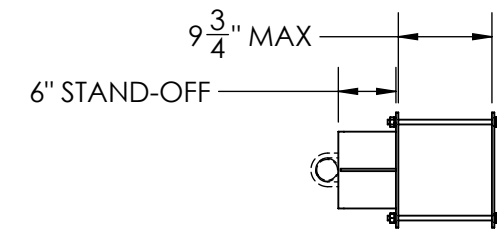
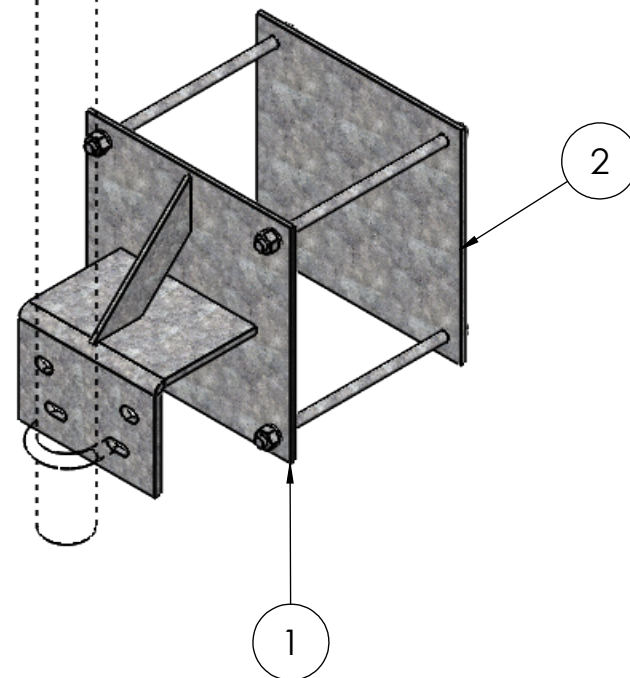
U-BOLT ASSEMBLIES (SOLD SEPARATELY)				
PART NUMBER	DESCRIPTION	PIPE O.D.	FINISH	
GUA42440	1/2" x 4" x 2-1/2" x 2" U-BOLT ASSM.	Ø2-3/8"	H.D.G.	
GUA43045	1/2" x 4-1/2" x 3" x 2" U-BOLT ASSM.	Ø2-7/8"	H.D.G.	
GUA43550	1/2" x 5" x 3-5/8" x 2" U-BOLT ASSM.	Ø3-1/2"	H.D.G.	
GUA54564	5/8" x 6-1/2" x 4-5/8" x 3" U-BOLT ASSM.	Ø4-1/2"	H.D.G.	

2X 2X
 3 4 5
 (4) PLACES
 PER WALL MOUNT
 BRACKET WELDMENT



EXISTING HOLLOW WALL
 TO BE SANDWICHED BETWEEN
 MOUNT PLATES

CUSTOMER MUST SPECIFY
 PIPE DIAMETER & LENGTH.
 HARDWARE WILL BE INCLUDED
 (ORDER SEPARATELY)



UNLESS OTHERWISE SPECIFIED: DIMENSIONS ARE IN INCHES TOLERANCE ± 1/16		DESCRIPTION: HOLLOW WALL MOUNT, 6" STAND-OFF, FITS 2-3/8" - 4-1/2" O.D. PIPE, NO PIPE MOUNTS, KIT OF 2	
MATERIAL: -		 PRO TOWER MANUFACTURING L.L.C. 5601 San Francisco St. NE Albuquerque, N.M. 87109 (505) 924-2810	DWG NO: RT1103
FINISH: H.D.G.	SIZE: B		DRAWN BY: AJK CHECKED BY: E.FILMER SHEET: 1 of 1
PROPRIETARY AND CONFIDENTIAL THE INFORMATION CONTAINED IN THIS DRAWING IS THE SOLE PROPERTY OF PRO TOWER MANUFACTURING L.L.C. ANY REPRODUCTION IN PART OR AS A WHOLE WITHOUT THE WRITTEN PERMISSION OF PRO TOWER MANUFACTURING L.L.C. IS PROHIBITED.		DATE: 8/11/2022	REV: -
		DATE: 8/11/2022	WEIGHT: 68.56
		SCALE: NTS	