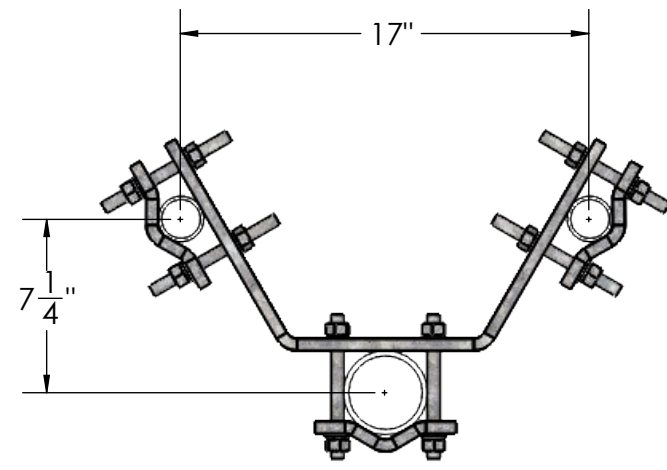
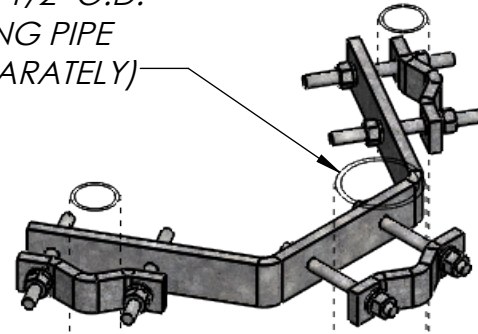


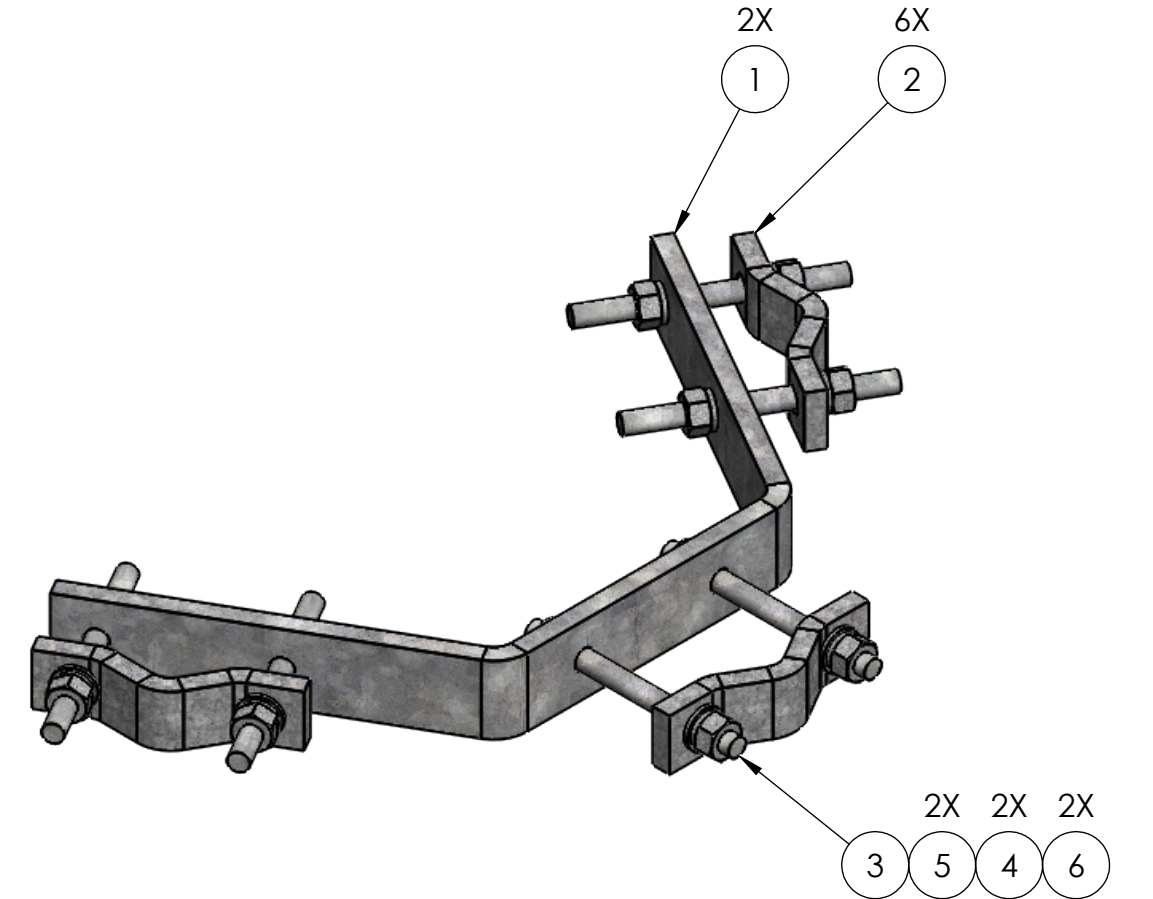
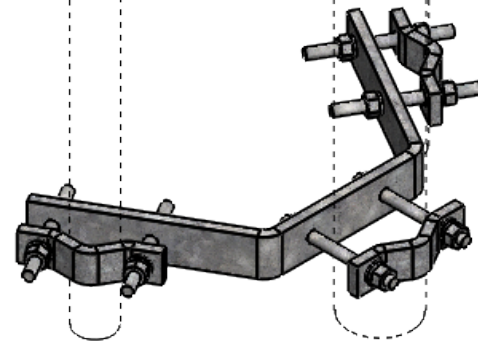
ITEM NO.	PART NUMBER	DESCRIPTION	FINISH	WEIGHT (PER)	QTY.
1	TW1328.01	DOUBLE ANTENNA CLAMP (F.B. 2" x 1/2")	H.D.G.	7.61	2
2	TW1320.01	CLAMP HALF 1-1/2" TO 3-1/2" OD ROUND (1/2" PLATE)	H.D.G.	1.23	6
3	GR500.006	1/2" x 6" THREADED ROD	H.D.G.	0.33	12
4	GF04A	1/2" FLAT WASHER	H.D.G.	0.02	12
5	GN04A	1/2" HEX NUT	H.D.G.	0.06	24
6	GL04	1/2" LOCK WASHER	H.D.G.	0.02	24



1-1/2" TO 3-1/2" O.D.  
MOUNTING PIPE  
(SOLD SEPARATELY)

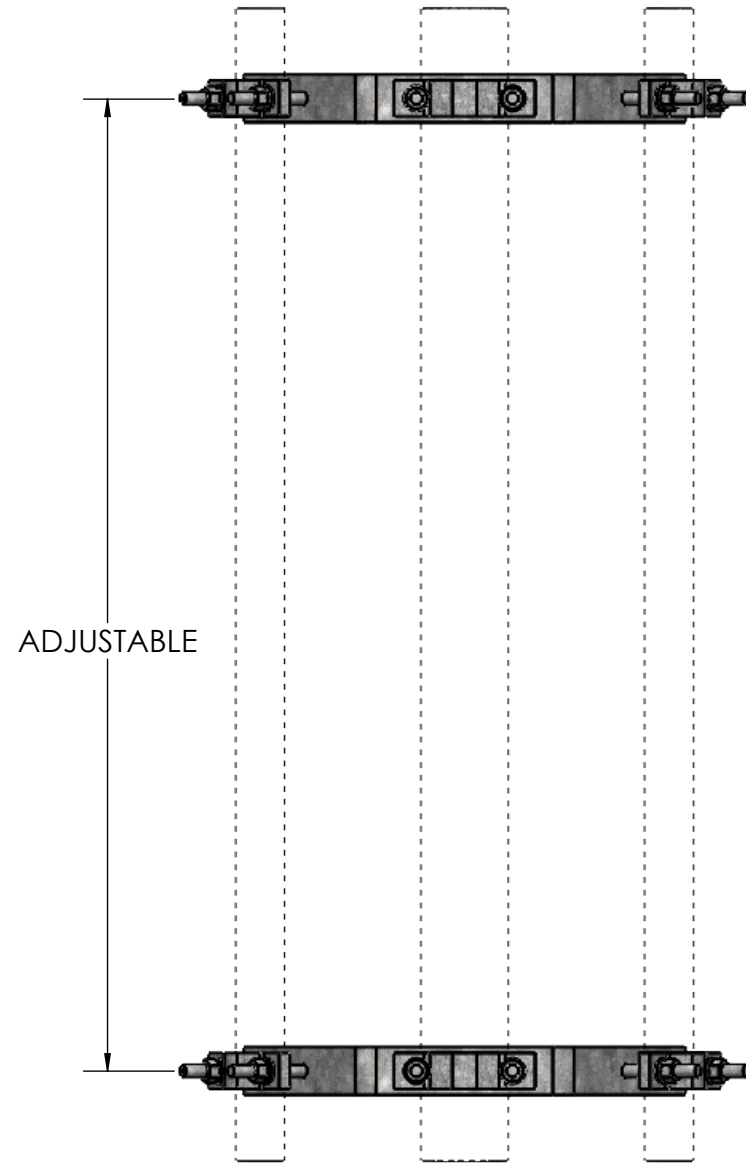


1-1/2" TO 3-1/2" O.D.  
ANTENNA PIPES  
(SOLD SEPARATELY)



ENLARGED VIEW OF SINGLE ANTENNA CLAMP FOR CLARITY

2X 1 6X 2  
2X 2X 2X  
3 5 4 6  
(6) PLACES UPPER  
(6) PLACES LOWER



ADJUSTABLE

UNLESS OTHERWISE SPECIFIED: DIMENSIONS ARE IN INCHES TOLERANCE ± 1/16		DESCRIPTION: DOUBLE ANTENNA CLAMP ASSEMBLY	
MATERIAL -		 <b>PRO TOWER MANUFACTURING L.L.C.</b> 5601 San Francisco St. NE Albuquerque, N.M. 87109 (505) 924-2810	DWG NO: TW1328
FINISH H.D.G.			DRAWN BY: A.J.K. CHECKED BY: E.FILMER SHEET: 1 of 1
SIZE B		DATE: 7/7/2021 DATE: 7/7/2021 SCALE: NTS REV: WEIGHT: 28.78	
PROPRIETARY AND CONFIDENTIAL THE INFORMATION CONTAINED IN THIS DRAWING IS THE SOLE PROPERTY OF PRO TOWER MANUFACTURING L.L.C. ANY REPRODUCTION IN PART OR AS A WHOLE WITHOUT THE WRITTEN PERMISSION OF PRO TOWER MANUFACTURING L.L.C. IS PROHIBITED.			