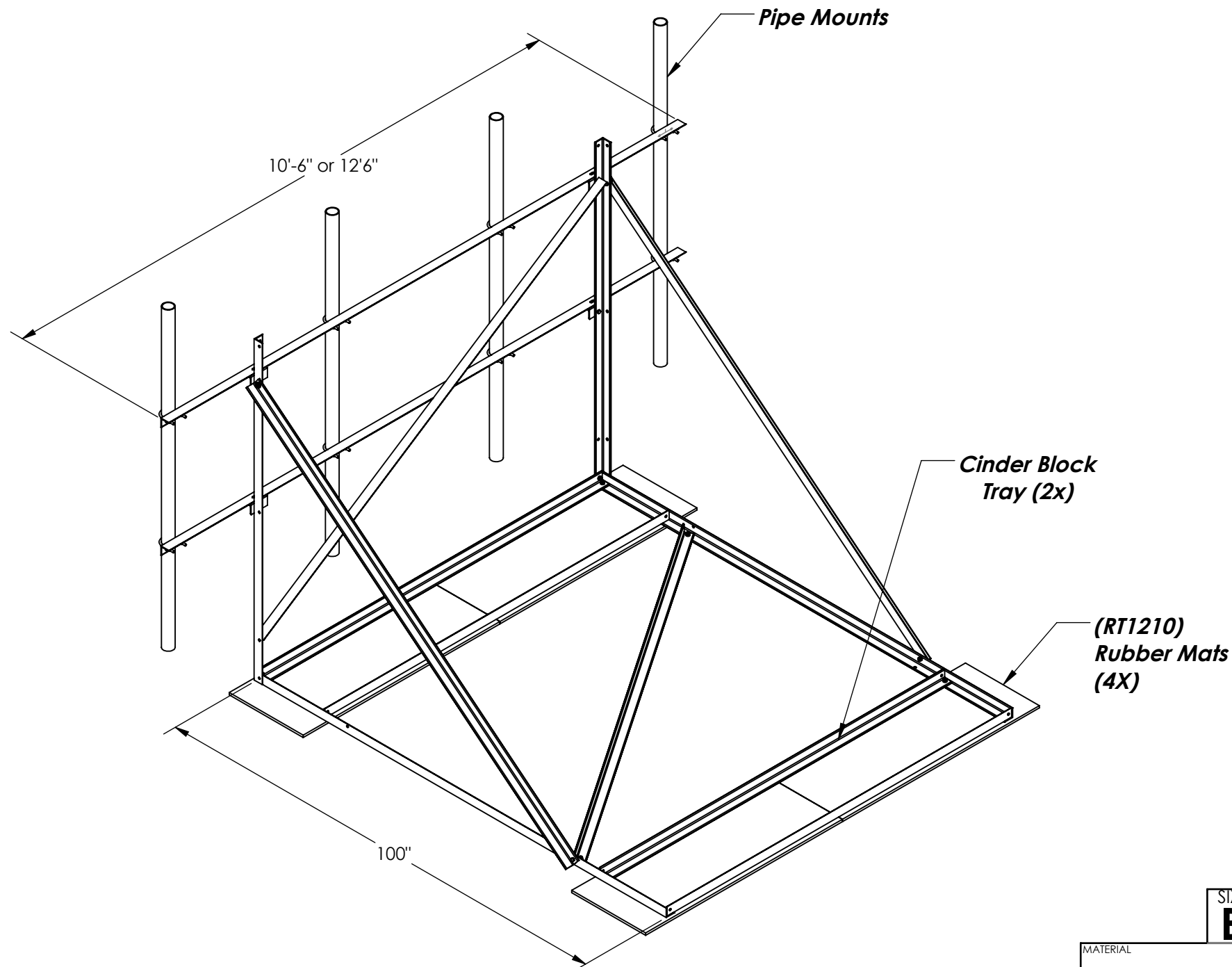


## Non-Penetrating Roof Frames

Application: Rooftop  
 size: 10'-6" or 12'-6"  
 Design: Single Sector Roof Mount  
 Feature: Complete Kit  
 Material: Hot Dip Galvanized Steel  
 Includes: Rubber Mats, Available with or without Pipe Mounts.

Order Separately: Additional Accessories



PART NUMBER	DESCRIPTION
RT1010	10'-6" Roof Frame, No Pipe Mounts
RT1011	10'-6" Roof Frame, (3) 72" Pipe Mounts
RT1013	10'-6" Roof Frame, (4) 72" Pipe Mounts
RT1020	12'-6" Roof Frame, No Pipe Mounts
RT1021	12'-6" Roof Frame, (3) 72" Pipe Mounts
RT1023	12'-6" Roof Frame, (3) 126" Pipe Mounts

UNLESS OTHERWISE SPECIFIED: DIMENSIONS ARE IN INCHES TOLERANCE ± 1/16	DESCRIPTION: ORDERING INFORMATION FOR NON-PENETRATING ROOF FRAMES			
	PROPRIETARY AND CONFIDENTIAL THE INFORMATION CONTAINED IN THIS DRAWING IS THE SOLE PROPERTY OF PRO TOWER MANUFACTURING L.L.C. ANY REPRODUCTION IN PART OR AS A WHOLE WITHOUT THE WRITTEN PERMISSION OF PRO TOWER MANUFACTURING L.L.C. IS PROHIBITED.	 <b>PRO TOWER MANUFACTURING L.L.C.</b> 5601 San Francisco St. NE Albuquerque, N.M. 87109 (505) 924-2810	DWG NO: RT NON-PENETRATING ROOF FRAMES	
MATERIAL: _____ FINISH: H.D.G.	SIZE: <b>B</b>	DRAWN BY: A.J.K. CHECKED BY: E.FILMER SHEET: 1 of 1	DATE: 4/28/2015 DATE: 4/28/2015 SCALE: NTS	REV: _____ WEIGHT: _____