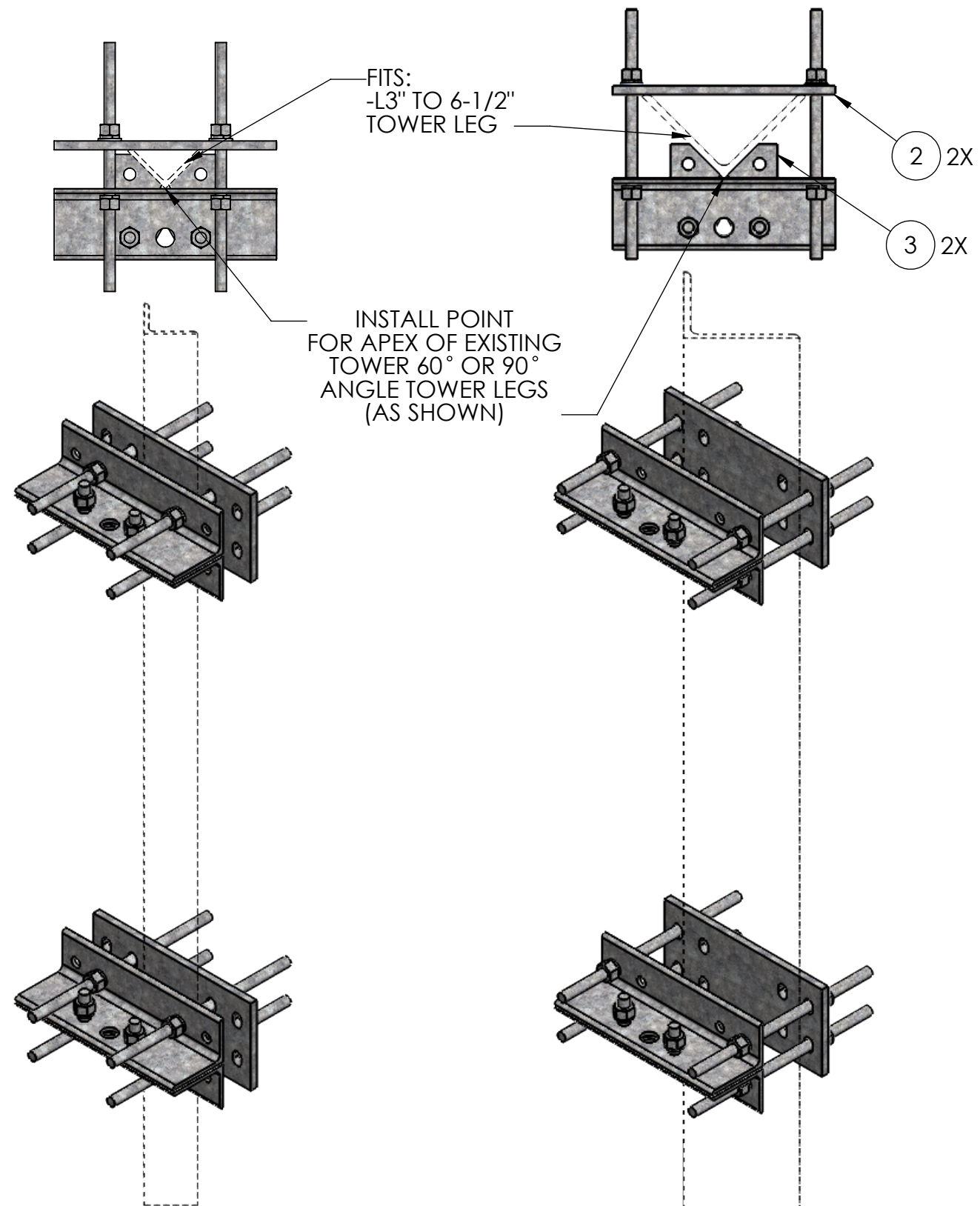


REVISIONS			
REV.	DESCRIPTION	DATE	APPROVED
A	REMOVED LARGE HALF CLAMP FROM ASSEMBLY (TYP. MOUNTING LEG DIA. IS RARELY LARGER THAN 5-9/16" O.D.)	05/08/2023	E. FILMER

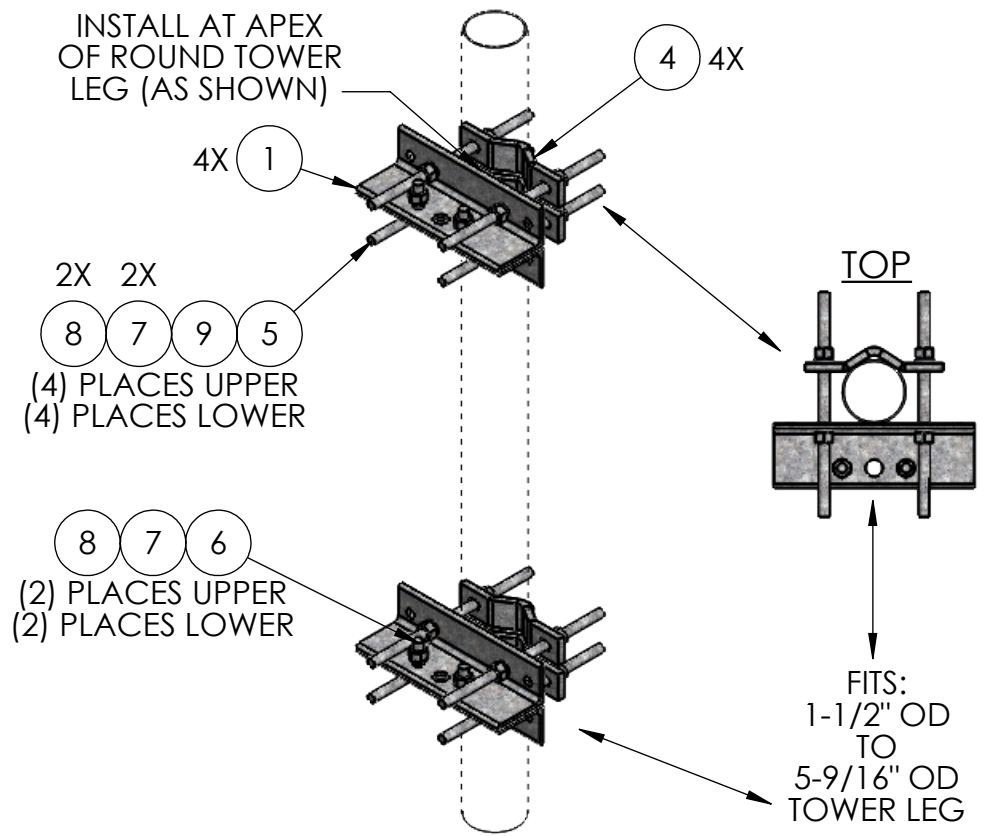
NOTES:  
 -UNIVERSAL SADDLE MOUNT KIT INCLUDES PARTS TO ALLOW FOR FIT ON ANGLE AND ROUND MEMBER TOWER LEGS (SEE VARIATIONS BELOW FOR ASSM. REF.)  
 SEE B.O.M. FOR INCLUDED PART QUANTITIES.



ITEM NO.	PART NUMBER	DESCRIPTION	FINISH	WEIGHT (PER)	QTY.
1	TW1130.01	SADDLE MOUNT ANGLE BRACKET (L4" x 3" x 1/4" x 12-1/2")	H.D.G.	5.79	4
2	TW1130.02	SADDLE MOUNT BACKING PLATE (F.B. 1/2" x 6" x 12-1/2")	H.D.G.	10.00	2
3	TW1120.02	60 OR 90 DEGREE ANGLE ADAPTER PLATE (F.B. 6" x 3/16" x 5-13/16")	H.D.G.	1.44	2
4	TW1321.01	CLAMP HALF 2-3/8" TO 5-9/16" O.D. ROUND (1/2" PLATE)	H.D.G.	2.44	4
5	GR625.014	5/8" X 14" THREADED ROD	H.D.G.	1.22	8
6	GB0524A	5/8" x 2-1/2" HEX BOLT	H.D.G.	0.33	4
7	GL05	5/8" LOCK WASHER	H.D.G.	0.03	20
8	GN05A	5/8" HEX NUT (2H)	H.D.G.	0.12	20
9	GF05	5/8" FLAT WASHER	H.D.G.	0.08	8

*THIS KIT INCLUDES (1) UPPER & (1) LOWER MOUNT, FOR ONE SECTOR ONLY (PARTS INCLUDED TO FIT ALL TOWER LEG VARIATIONS SHOWN ON THIS SHEET)*

ALL ASSM. VARIATIONS SHOWN FOR CLARITY:  
 -SMALL ANGLE  
 -LARGE ANGLE  
 -SMALL ROUND



ROUND TOWER LEG VARIATIONS (SHOWN ABOVE)  
 ROUND TOWER LEG MEMBERS 1-1/2" TO 5-9/16" OD

ANGLE TOWER LEG VARIATION (SHOWN ABOVE)  
 SAME PARTS USED FOR ALL ACCEPTABLE ANGLE TOWER LEG SIZES

UNLESS OTHERWISE SPECIFIED: DIMENSIONS ARE IN INCHES TOLERANCE ± 1/16		DESCRIPTION: UNIVERSAL SADDLE MOUNT, FITS ANGLE L3" TO L6-1/2" OR ROUND TOWER LEGS 1-1/2" O.D. TO 5-9/16" O.D. (KIT OF 2)	
MATERIAL: -		 <b>PRO TOWER MANUFACTURING L.L.C.</b> 5601 San Francisco St. NE Albuquerque, N.M. 87109 (505) 924-2810	DWG NO: TW1130
FINISH: H.D.G.	SIZE: <b>B</b>		DRAWN BY: AJK CHECKED BY: E.FILMER SHEET: 1 of 1
PROPRIETARY AND CONFIDENTIAL THE INFORMATION CONTAINED IN THIS DRAWING IS THE SOLE PROPERTY OF PRO TOWER MANUFACTURING L.L.C. ANY REPRODUCTION IN PART OR AS A WHOLE WITHOUT THE WRITTEN PERMISSION OF PRO TOWER MANUFACTURING L.L.C. IS PROHIBITED.		DATE: 5/9/2023	REV: A
		DATE: 5/9/2023	WEIGHT: 70.52
		SCALE: NTS	