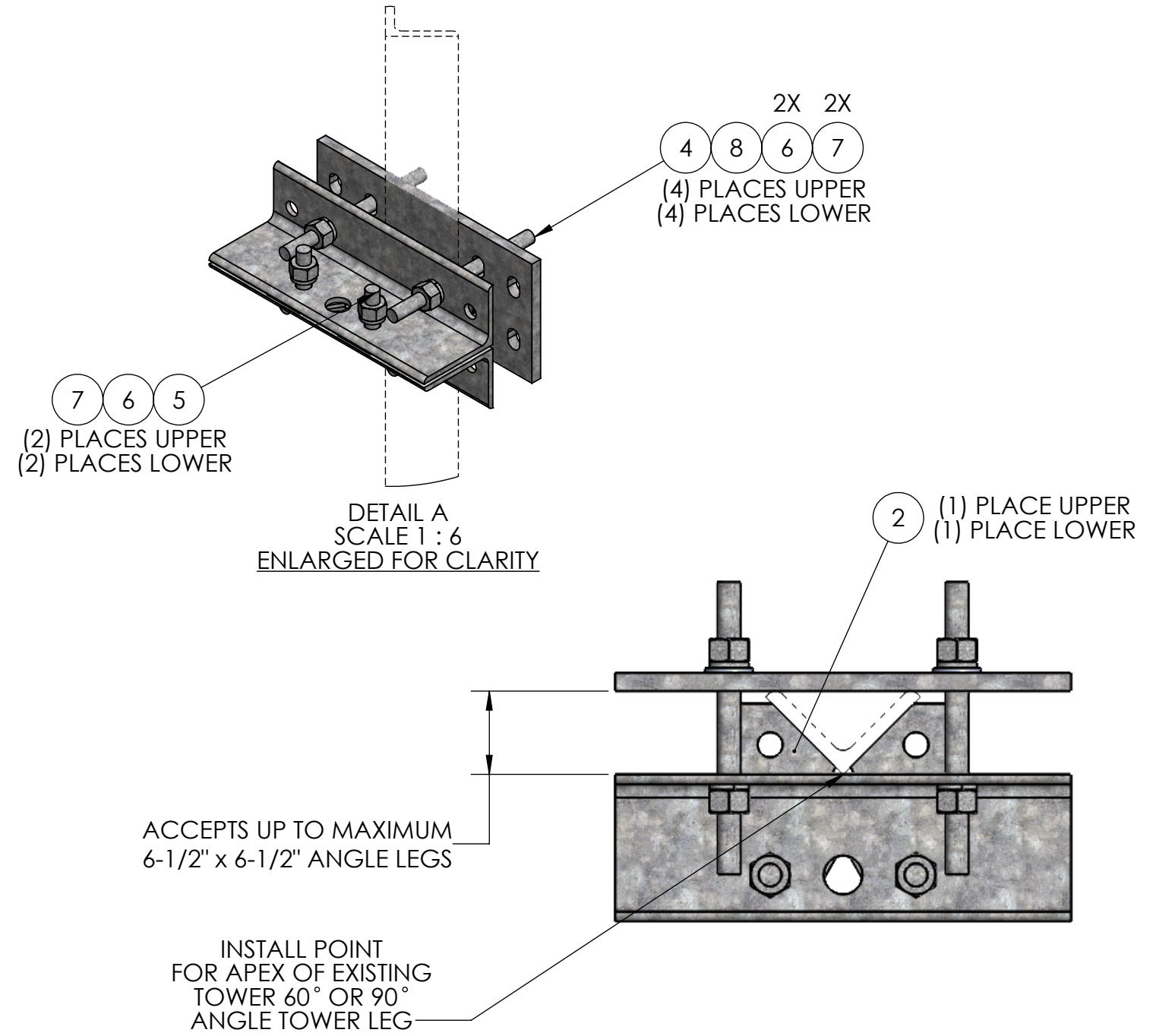
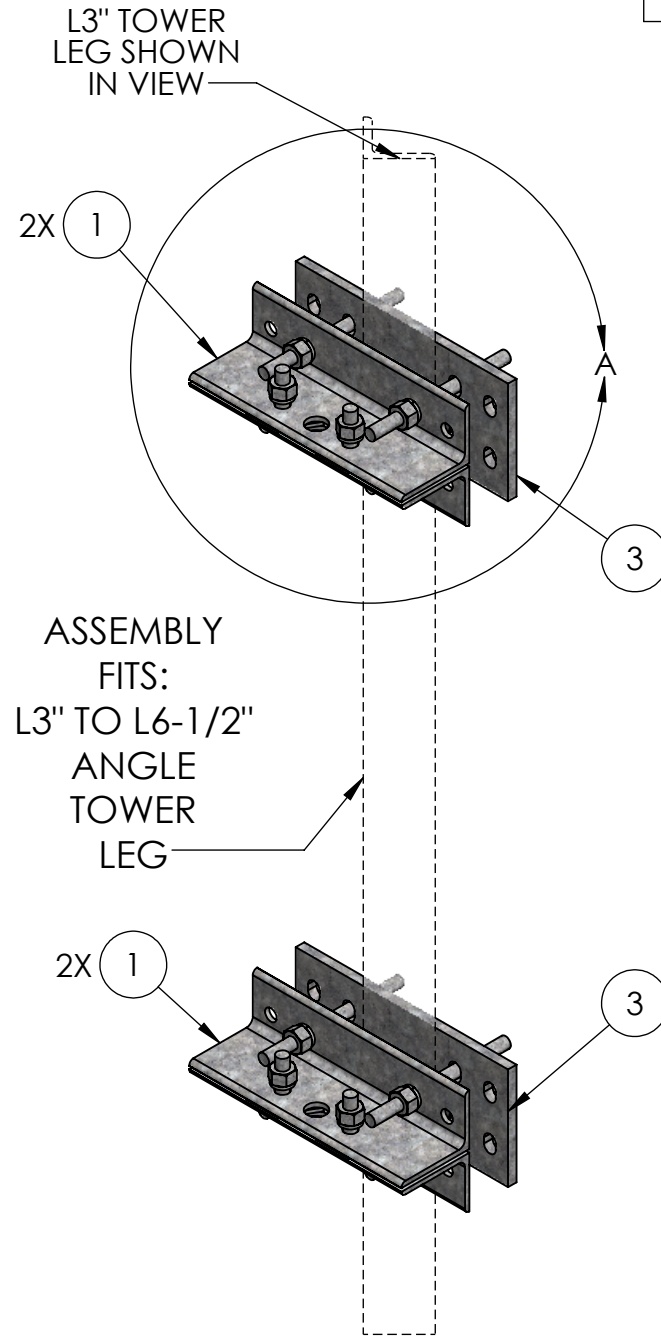
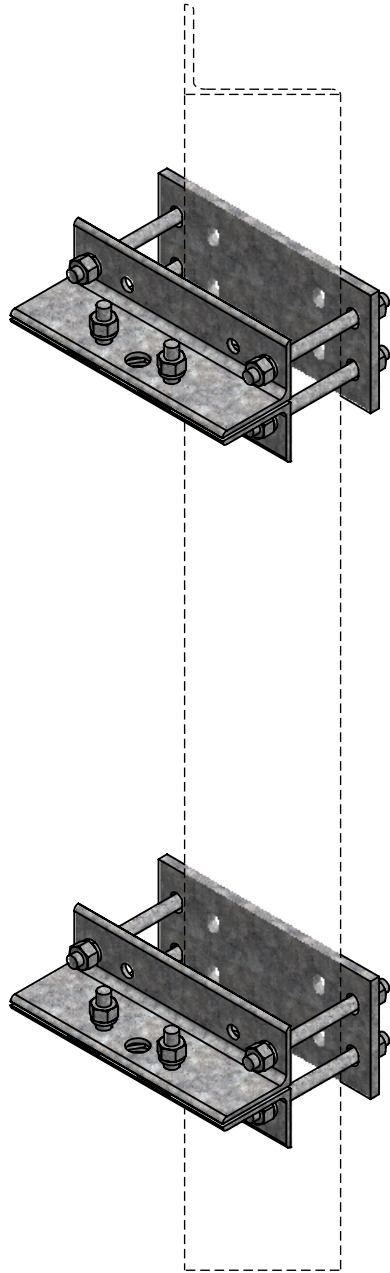


NOTES:
 -90° ANGLE LEG CONFIGURATION SHOWN. SADDLE MOUNT ACCEPTS 60°
 & 90° ANGLE TOWER LEGS

ITEM NO.	PART NUMBER	DESCRIPTION	FINISH	WEIGHT (PER)	QTY.
1	TW1130.01	SADDLE MOUNT ANGLE BRACKET (L4" x 3" x 1/4" x 12-1/2")	H.D.G.	5.79	4
2	TW1120.02	60 OR 90 DEGREE ANGLE ADAPTER PLATE (F.B. 6" x 3/16" x 5-13/16")	H.D.G.	1.44	2
3	TW1130.02	SADDLE MOUNT BACKING PLATE (F.B. 1/2" x 6" x 12-1/2")	H.D.G.	10.00	2
4	GR625.008	5/8" X 8" THREADED ROD	H.D.G.	0.70	8
5	GB0524A	5/8" X 2-1/2" HEX BOLT	H.D.G.	0.33	4
6	GL05	5/8" LOCK WASHER	H.D.G.	0.03	20
7	GN05A	5/8" HEX NUT (2H)	H.D.G.	0.12	20
8	GF05	5/8" FLAT WASHER	H.D.G.	0.03	8

VIEW SHOWING MAX ANGLE TOWER
 LEG SIZE (L6-1/2") THAT WILL FIT
 (FOR CLARITY)



UNLESS OTHERWISE SPECIFIED: DIMENSIONS ARE IN INCHES TOLERANCE ± 1/16		DESCRIPTION: UNIVERSAL ANGLE SADDLE 3" - 6-1/2" ANGLE MEMBERS		
MATERIAL: -		 PRO TOWER MANUFACTURING L.L.C. 5601 San Francisco St. NE Albuquerque, N.M. 87109 (505) 924-2810	DWG NO: TW1131	
FINISH: H.D.G.			DRAWN BY: AJK CHECKED BY: E.FILMER SHEET: 1 of 1	DATE: 3/14/2023 DATE: 3/14/2023 SCALE: NTS