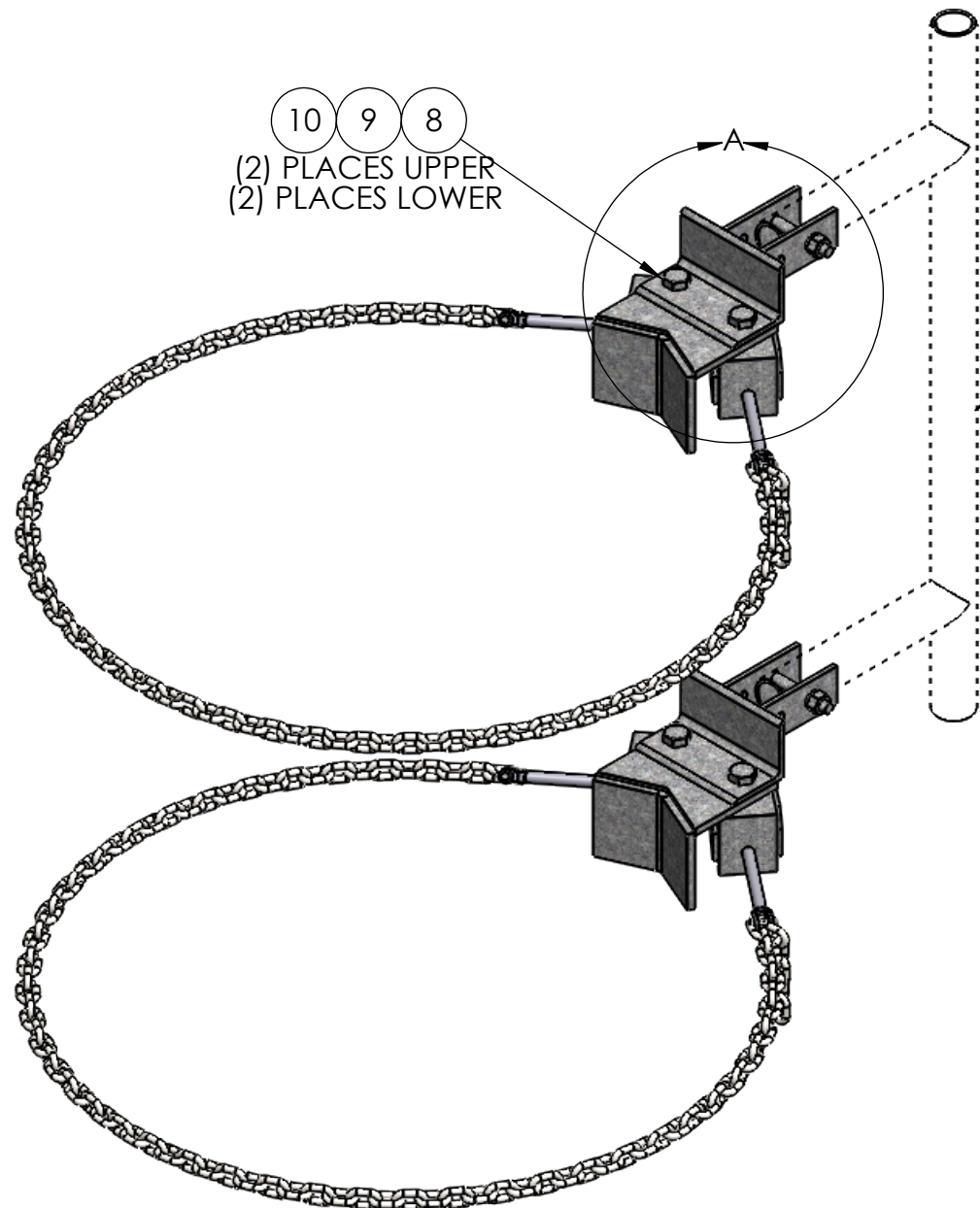
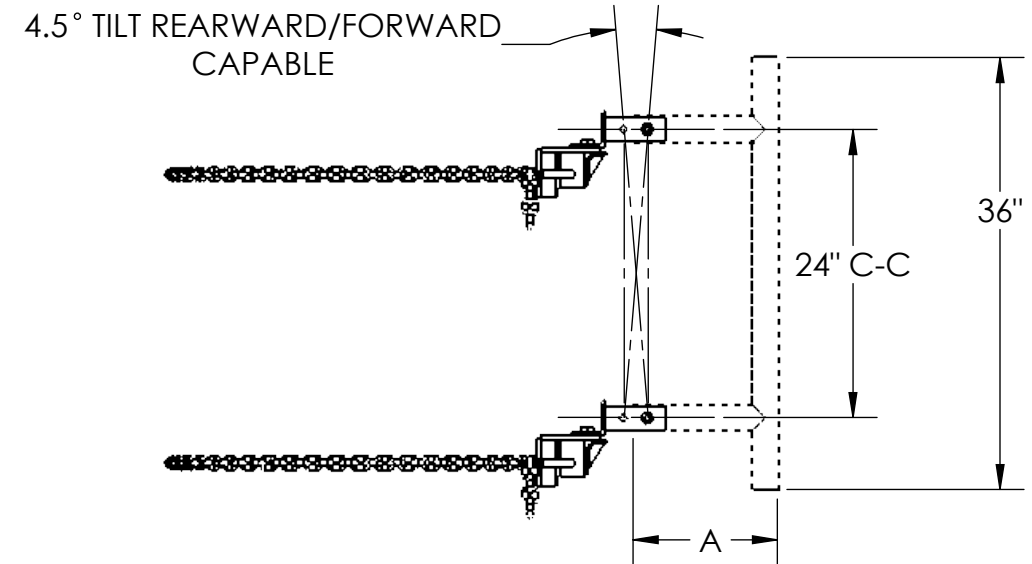


ITEM NO.	PART NUMBER	DESCRIPTION	FINISH	WEIGHT (PER)	QTY.
1	MP1300.01	CHAIN MOUNT CLAMP BRACKET (WELDMENT)	H.D.G.	5.78	2
2	MP1300.02	CHAIN MOUNT TIGHTNER BRACKET (WELDMENT)	H.D.G.	1.70	4
3	MP1300.03	1/2" x 6" TURNBUCKLE JAW END FITTING	H.D.G.	0.44	4
4	TW1279.01	CHAIN MOUNT LIGHTWEIGHT STAND-OFF ADAPTER (WELDMENT)	H.D.G.	3.74	2
5	MP1300.05	1/4" G-40 CHAIN 8FT LONG	H.D.G.	5.53	2
6	GL04	1/2" LOCK WASHER	H.D.G.	0.02	6
7	GN04A	1/2" HEX NUT (2H)	H.D.G.	0.06	6
8	GB0522A	5/8" x 2-1/4" HEX BOLT	H.D.G.	0.31	4
9	GL05	5/8" LOCK WASHER	H.D.G.	0.03	4
10	GN05A	5/8" HEX NUT (2H)	H.D.G.	0.12	4
11	GB0434A	1/2" x 3-1/2" HEX BOLT	H.D.G.	0.26	2

UNIVERSAL LIGHTWEIGHT STAND-OFF SERIES (SOLD SEPARATELY)			
PART NO.	STAND-OFF "A"	WEIGHT (PER)	QTY.
TW1270	6"	10.12	1
TW1271	12"	12.84	1
TW1272	18"	15.57	1
TW1273	24"	18.30	1
TW1274	36"	23.76	1



(SOLD SEPARATELY)
SEE "LIGHTWEIGHT STAND-OFF SERIES"
TABLE FOR SPECIFIC STAND-OFF DIMENSIONS



STAND-OFF WEIGHT NOT INCLUDED IN ASSM. TOTAL WEIGHT

UNLESS OTHERWISE SPECIFIED: DIMENSIONS ARE IN INCHES TOLERANCE ± 1/16		DESCRIPTION: SINGLE MONOPOLE CHAIN MOUNT FOR LIGHTWEIGHT UNIVERSAL STAND-OFF, STAND-OFF SOLD SEPARATELY		DWG NO: MP1306LW	
MATERIAL: -	FINISH: H.D.G.	PRO TOWER MANUFACTURING L.L.C. 5601 San Francisco St. NE Albuquerque, N.M. 87109 (505) 924-2810	DRAWN BY: AJK	DATE: 6/15/2022	REV
			CHECKED BY: E. FILMER	DATE: 6/15/2022	WEIGHT: 41.42
			SHEET: 1 of 1	SCALE: NTS	