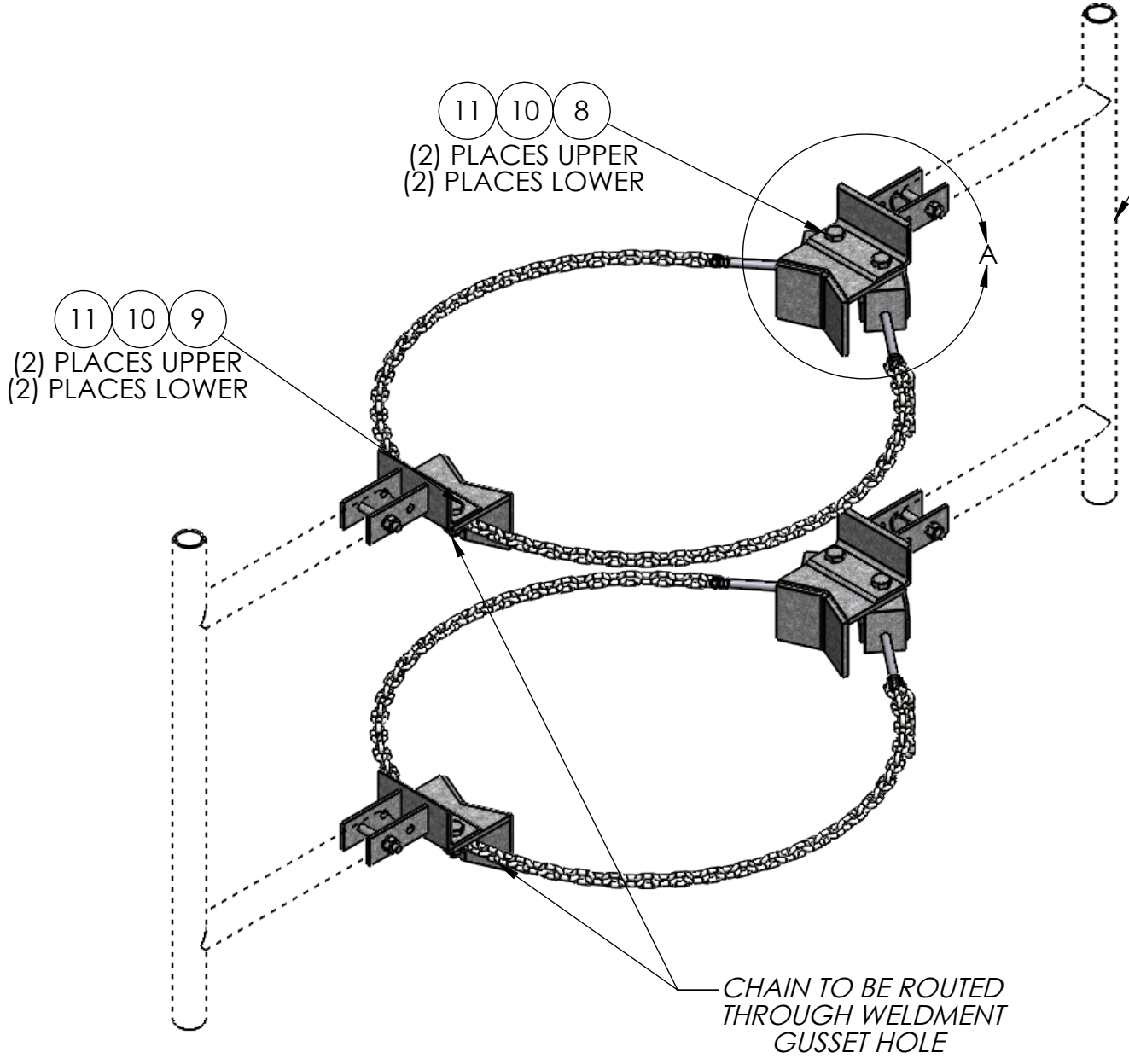
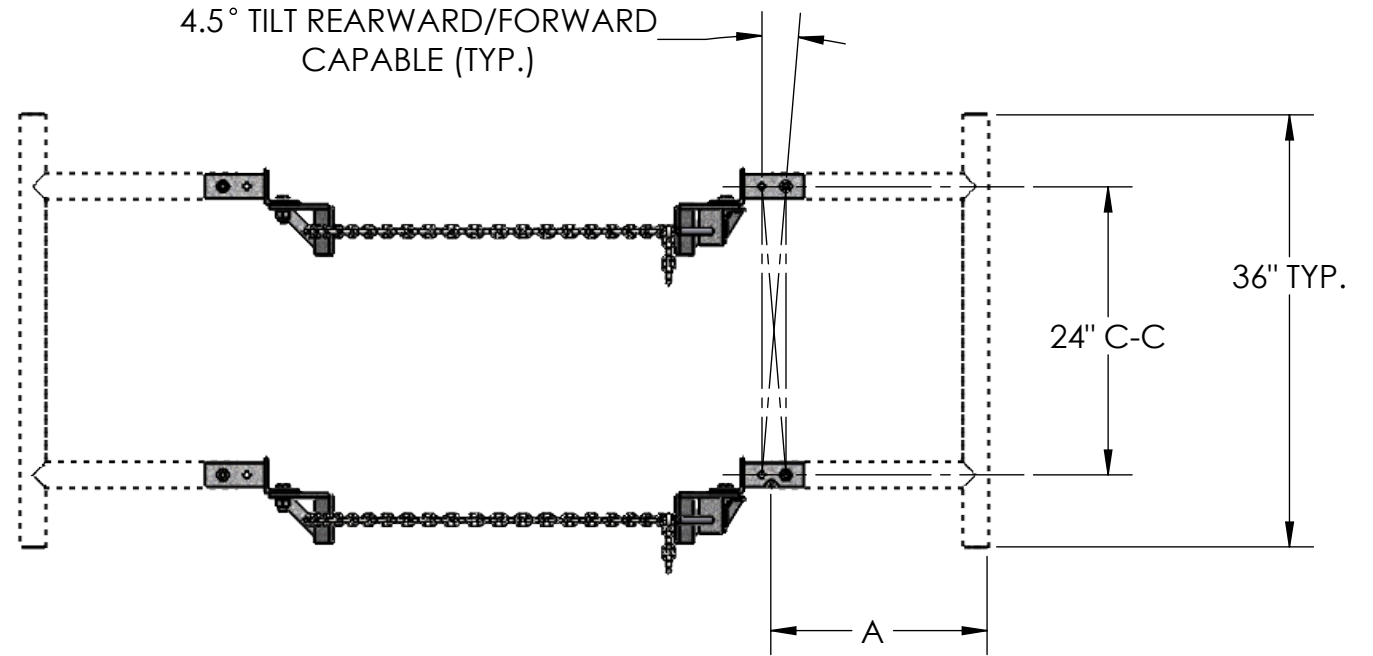


ITEM NO.	PART NUMBER	DESCRIPTION	FINISH	WEIGHT (PER)	QTY.
1	MP1300.01	CHAIN MOUNT CLAMP BRACKET (WELDMENT)	H.D.G.	5.78	4
2	MP1300.02	CHAIN MOUNT TIGHTNER BRACKET (WELDMENT)	H.D.G.	1.70	4
3	MP1300.03	1/2" x 6" TURNBUCKLE JAW END FITTING	H.D.G.	0.44	4
4	TW1279.01	CHAIN MOUNT LIGHTWEIGHT STAND-OFF ADAPTER (WELDMENT)	H.D.G.	3.74	4
5	MP1300.05	1/4" G-40 CHAIN 8FT LONG	H.D.G.	5.53	2
6	GL04	1/2" LOCK WASHER	H.D.G.	0.02	8
7	GN04A	1/2" HEX NUT (2H)	H.D.G.	0.06	8
8	GB0522A	5/8" x 2-1/4" HEX BOLT	H.D.G.	0.31	4
9	GB0516A	5/8" x 1-3/4" HEX BOLT	H.D.G.	0.26	4
10	GL05	5/8" LOCK WASHER	H.D.G.	0.03	8
11	GN05A	5/8" HEX NUT (2H)	H.D.G.	0.12	8
12	GB0434A	1/2" x 3-1/2" HEX BOLT	H.D.G.	0.26	4

UNIVERSAL LIGHTWEIGHT STAND-OFF SERIES (SOLD SEPARATELY)			
PART NO.	STAND-OFF "A"	WEIGHT (PER)	QTY.
TW1270	6"	10.12	1
TW1271	12"	12.84	1
TW1272	18"	15.57	1
TW1273	24"	18.30	1
TW1274	36"	23.76	1



(SOLD SEPARATELY)
SEE "LIGHTWEIGHT STAND-OFF SERIES"
TABLE FOR SPECIFIC STAND-OFF
DIMENSIONS



STAND-OFF WEIGHT NOT INCLUDED IN ASSM. TOTAL WEIGHT

UNLESS OTHERWISE SPECIFIED: DIMENSIONS ARE IN INCHES TOLERANCE ± 1/16		DESCRIPTION: DOUBLE MONOPOLE CHAIN MOUNT FOR LIGHTWEIGHT UNIVERSAL STAND-OFF, STAND-OFF SOLD SEPARATELY									
MATERIAL	FINISH	 PRO TOWER MANUFACTURING L.L.C. 5601 San Francisco St. NE Albuquerque, N.M. 87109 (505) 924-2810	DWG NO: MP1307LW								
-	H.D.G.		<table border="1"> <tr> <td>DRAWN BY: AJK</td> <td>DATE: 6/15/2022</td> <td>REV</td> </tr> <tr> <td>CHECKED BY: E. FILMER</td> <td>DATE: 6/15/2022</td> <td>WEIGHT:</td> </tr> <tr> <td>SHEET: 1 of 1</td> <td>SCALE: NTS</td> <td>62.86</td> </tr> </table>	DRAWN BY: AJK	DATE: 6/15/2022	REV	CHECKED BY: E. FILMER	DATE: 6/15/2022	WEIGHT:	SHEET: 1 of 1	SCALE: NTS
DRAWN BY: AJK	DATE: 6/15/2022	REV									
CHECKED BY: E. FILMER	DATE: 6/15/2022	WEIGHT:									
SHEET: 1 of 1	SCALE: NTS	62.86									